



ROPOX MOBILIO CHANGING BED

FREESTANDING AND STABLE

Ropox Mobilio changing bed is mobile and with brake wheels. This ensures that the changing bed can be stable and is easy to move if needed. It is also available with central brake, which locks all wheels at once.

The changing bed can be connected to a standard electrical outlet with a three meter long electrical height adjustment cord. The height is adjustable from 52-92 cm by using a hand control.

Ropox Mobilio changing bed is available in five models with bed guards on both sides and with a mattress for increased comfort.

The replaceable mattress has a cleaning-friendly surface that makes it easy to clean after use.

A batteri is available as an accessory.



CHANGING BED

ITEM NO.	DESCRIPTION
40-30404	Mobilio 120x70cm
40-30406	Mobilio 140x70cm
40-30408	Mobilio 160x70cm
40-30410	Mobilio 180x70cm
40-30411	Mobilio 190x70cm

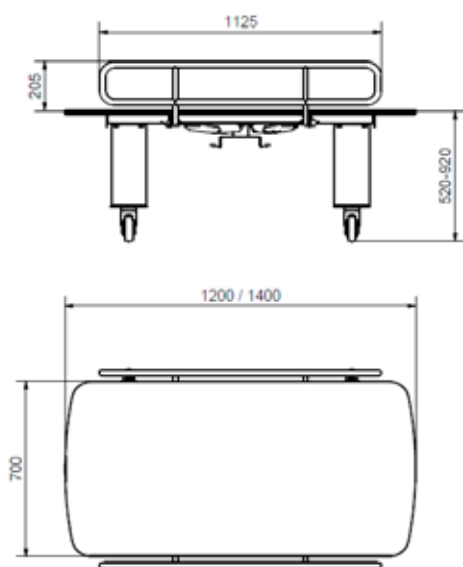
ACCESSORY

ITEM NO.	DESCRIPTION
40-30196	Bed guard for length 120/140cm
40-30197	Bed guard for length 160/180/190cm
40-25782	Cushion for bed guard length 120/140cm
40-25783	Cushion for bed guard length 160/180/190cm
40-30753	Central brake for length 120/140cm
40-30760	Central brake for length 160/180/190cm
40-30762	Batteri

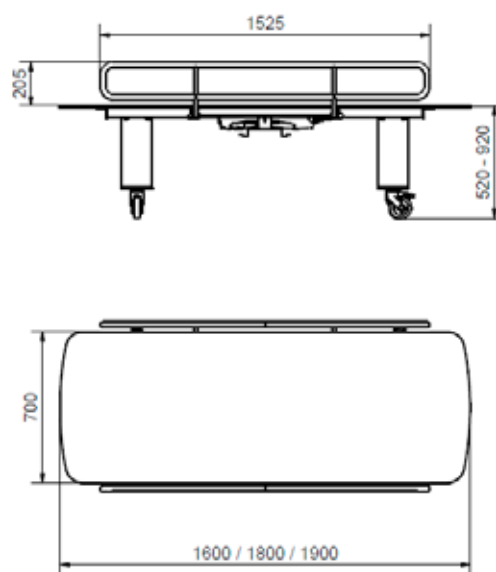
ITEM NO.	DESCRIPTION
40-25760	Matress for 120x70cm
40-25795	Matress for 140x70cm
40-25796	Matress for 160x70cm
40-25764	Matress for 180x70cm
40-25765	Matress for 190x70cm

DIMENSION DRAWING

For mobilio 120x70cm and 140x70cm



For mobilio 160x70cm, 180x70cm



The items are produced according to the following Standard: DS/EN 12182:2012.

ROPOX A/S · Ringstedgade 221 · 4700 Naestved, Denmark · Phone: +45 5575 0500 · info@ropox.dk · www.ropox.com

ROPOX™

BETTER WAYS TO BETTER DAYS

- A PART OF AddLife