

# Adapter Frame for Nursing Table Maxi 2

## User Manual

### Mounting Instructions

**Keep this manual with the product at all times**

# Contents

---

|                                   |          |
|-----------------------------------|----------|
| <b>General information.....</b>   | <b>3</b> |
| <b>Mounting instructions.....</b> | <b>5</b> |
| <b>Maintenance .....</b>          | <b>8</b> |
| <b>Complaints .....</b>           | <b>9</b> |

# General information

## Product information



It is important to read this manual prior to mounting and use.

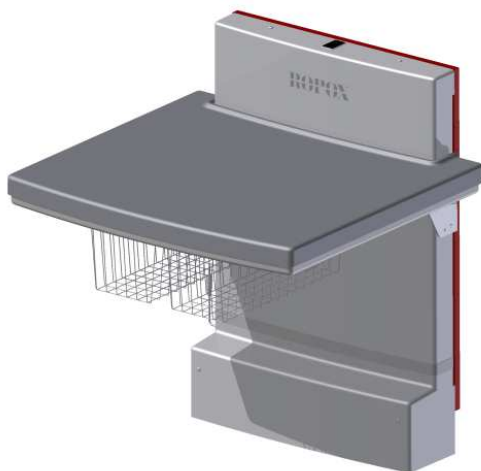
Product : Adapter Frame for Nursing Table Maxi 2

Manufacturer: Ropox, DK-4700 Næstved, Tel. +45 55 75 05 00

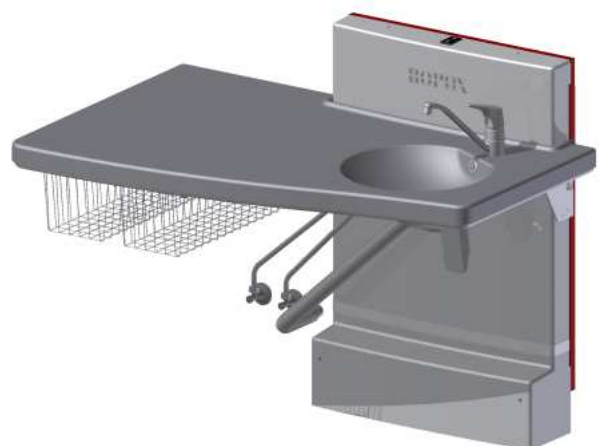
Application – The adapter frame is used if the wall is uneven or out-of-true in order to ensure that the nursing table does not scrape against the wall during height adjustment.

### Item number

| Length of nursing table | Item number |
|-------------------------|-------------|
| 90 cm and 130 cm        | 50-50685    |



Nursing table Maxi 2, 90 cm



Nursing table Maxi 2, 130 cm

## General information

---

### Technical data

Material – frame: Welded steel pipe and steel sheet St.37

Surface treatment: Powder-coated, white RAL 9010 mat, chromate

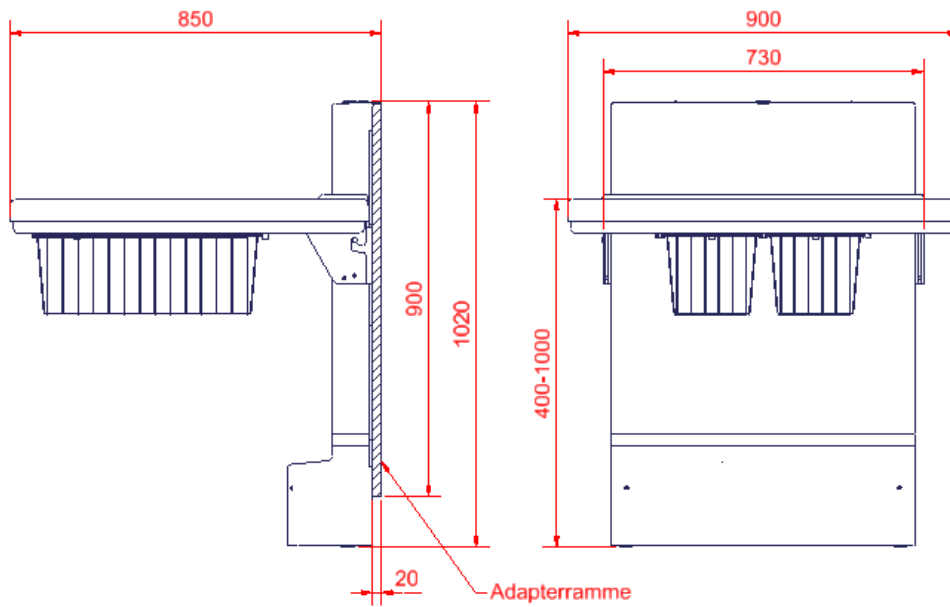
### Before using the product

Before using this product, make sure that the mounting instructions have been followed carefully and that all bolts and nuts have been tightened.

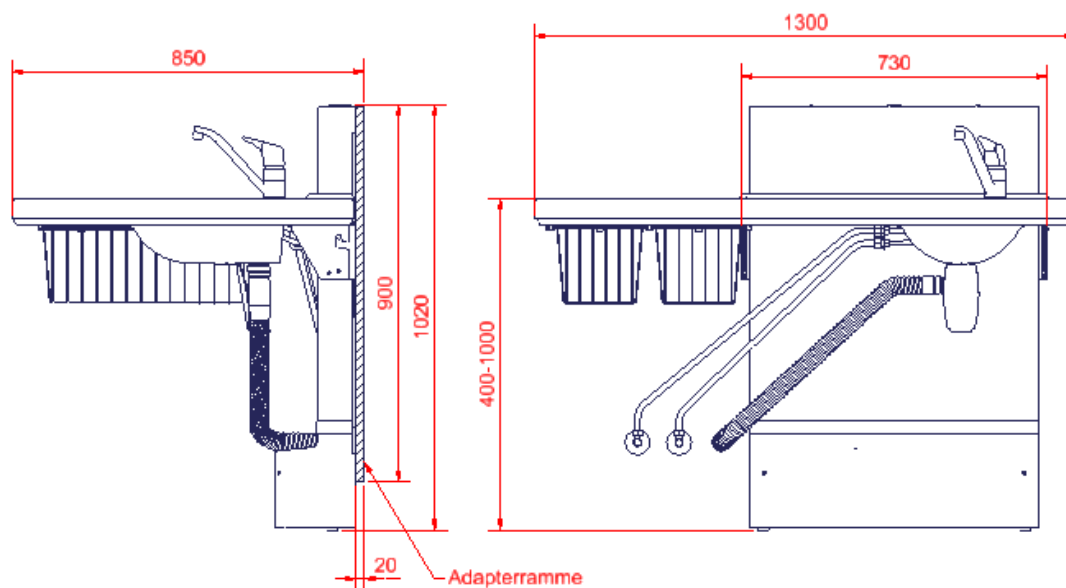
# Mounting instructions

Important information prior to mounting

Dimension sketch of nursing tables with adapter frame.



Nursing table Maxi 2, 90 cm



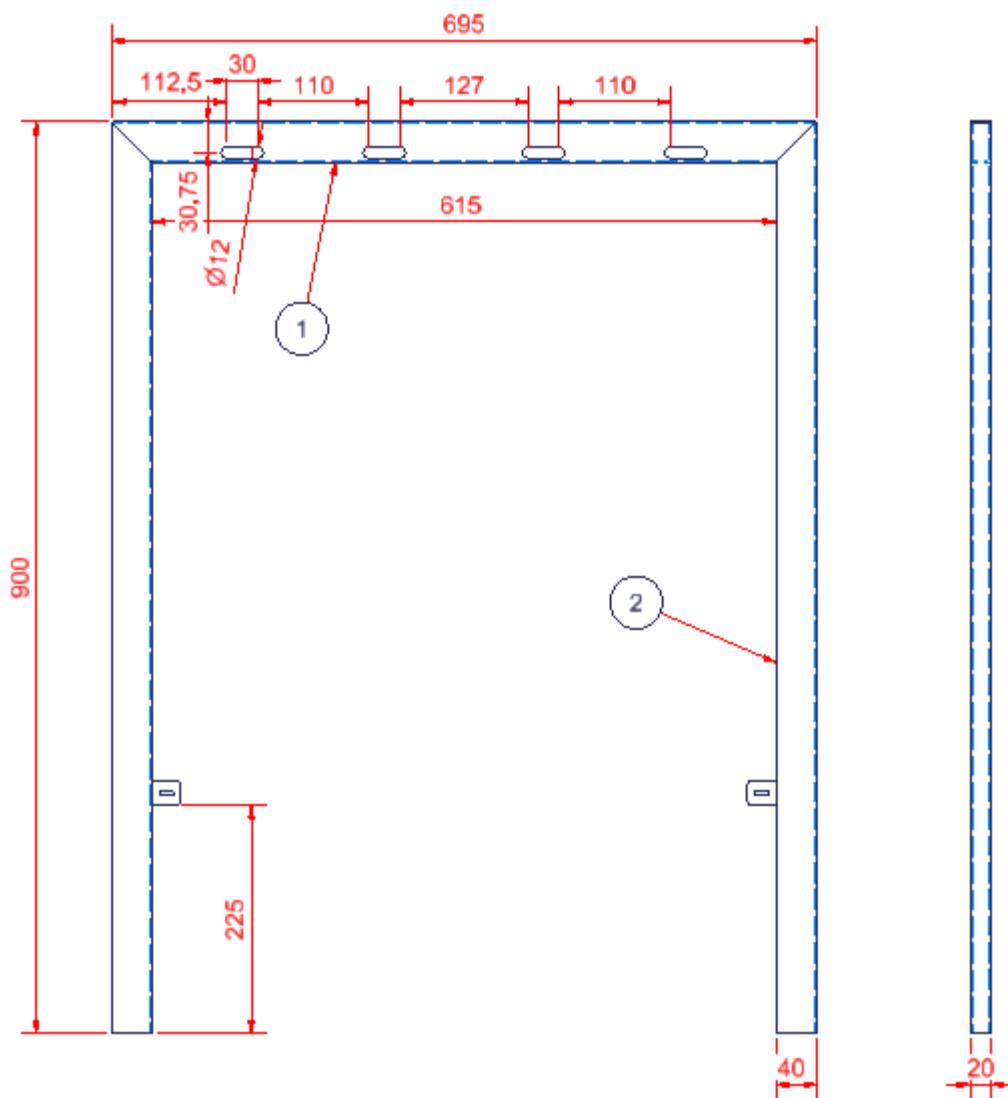
Nursing table Maxi 2, 130 cm

# Mounting instructions

These mounting instructions comprise:

Adapter frame x1

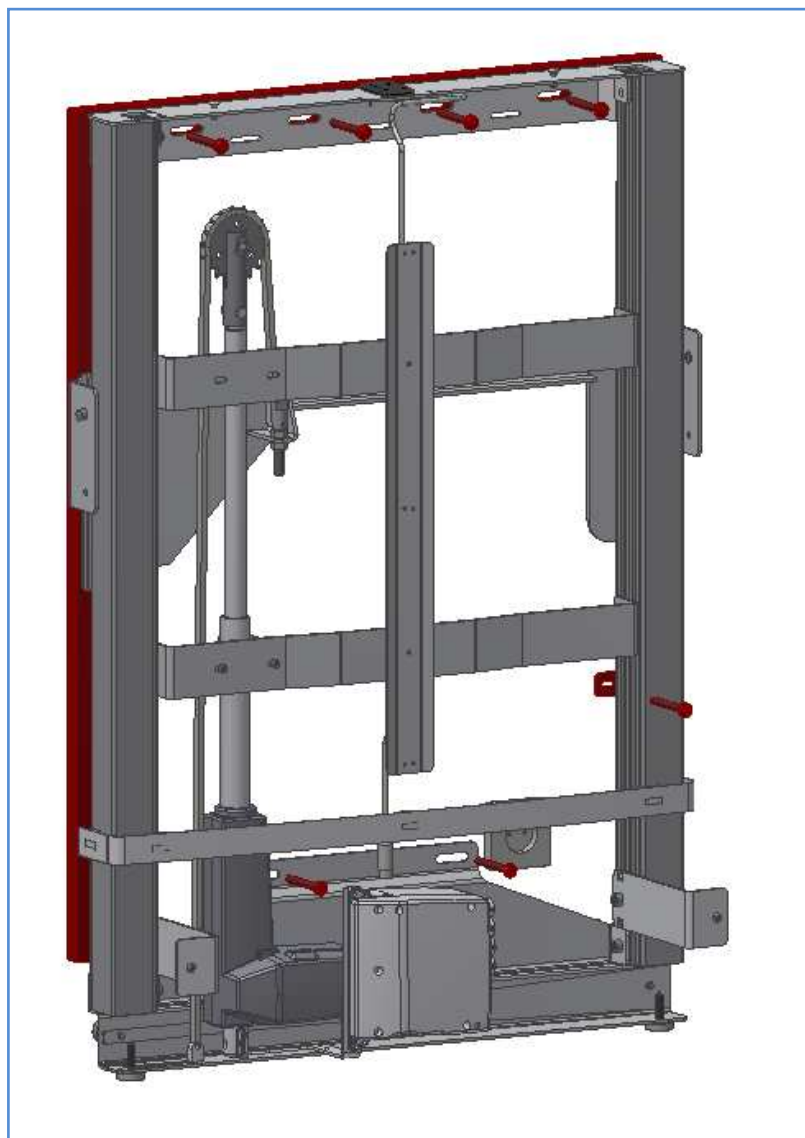
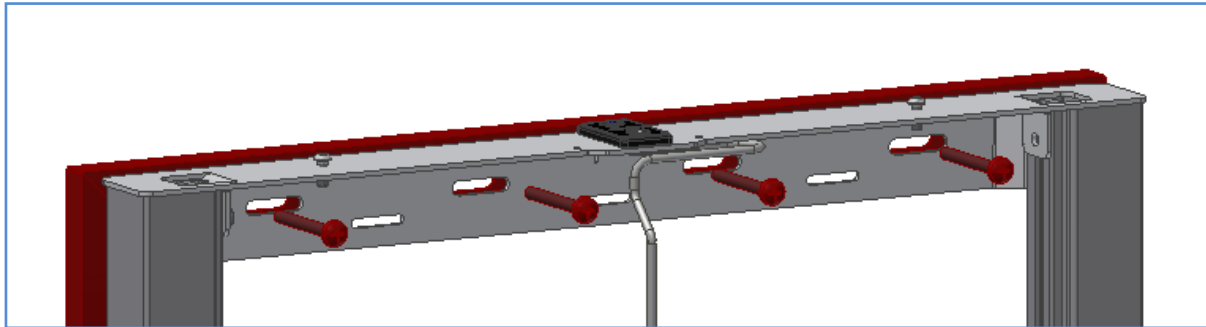
Dimension sketch of adapter frame:



## Mounting instructions

---

Follow the mounting instructions for Maxi 2 nursing table. Place the adapter frame behind the nursing table unit after drilling holes in the wall. Then fasten the unit and the adapter frame on the wall by means of the assembly bolts.



## Maintenance

---

- i** Ropox recommends testing of the functions of the nursing table and retightening of the bolts once a year.

In case of defects, please contact Ropox as soon as possible, and do not use the nursing table until the problem has been solved/remedied.

**!! Maintenance of the nursing table should only be carried out by competent personnel !!**

If you do not want to carry out the performance test yourself, you may contact Ropox to arrange a visit by a service technician. See contact information at the end of these instructions.



## Complaints

---

Please see General Terms of Sale and Delivery on [www.ropox.com](http://www.ropox.com)



### **Ropox A/S**

Ringstedgade 221

DK – 4700 Næstved

Tel.: +45 55 75 05 00 Fax.: +45 55

70 05 50



### **Ropox A/S**

Ringstedgade 221

DK – 4700 Naestved

Tel.: +45 55 75 05 00 Fax.: +45 55

70 05 50



### **Ropox A/S**

Ringstedgade 221

DK – 4700 Naestved

Tel.: +45 55 75 05 00 Fax.: +45 55

70 05 50