

Ropox Swing Wash Basin

Fixed height or manual height adjustment




User Manual & Mounting Instructions

Keep this folder with product at all times!


Table of content

1. SYMBOLS USED IN THIS MANUAL.....	3
2. GENERAL SAFETY	3
2.1 Product Unit label.....	5
3. GENERAL REQUIREMENTS	6
3.1 Product information	6
3.2 Product description	6
3.3 Intended use	6
3.4 Intended operator.....	6
3.5 Essential performance	7
3.6 Non-clinical functions	7
3.7 Clinical functions	7
3.8 Product dimensions	7
3.9 Connection adapters.....	9
3.10 Layout proposals.....	10
4. INSTRUCTION FOR USE	11
4.1 Operating the product	11
4.2 Adjusting the height.....	12
4.3 Installation of product	13
4.3.1 Model 40-41110 + 40-41120	13
4.3.2 Model 40-41130 + 40-41140	17
4.4 Installation interfaces	22
4.4.1 Fixed height with low wall unit.....	22
4.4.2 Fixed height with high wall unit	23
4.4.3 Height-adjustable with low wall unit	24
4.4.4 Height-adjustable with high wall unit	25
5. SAFETY IN USE.....	26
6. CLEANING	27
6.1 Cleaning of the wash basin.....	27
7. MAINTENANCE	27
8. COMPONENTS PART LIST	28
9. ENVIRONMENTAL PROTECTION.....	28
10. COMPLAINTS	28

1. Symbols used in this manual

Warning Symbol Indication of potentially hazardous situation. If not avoided, it can result in serious injury or death.	
Caution Symbol Indication of potentially hazardous situation which may result in minor or moderate injury. It may also be used to alert against unsafe practices.	
Notification Symbol This symbol is used to notify correct use and handling of the product.	

2. General safety

	<p>This manual must be read and understood before use. Always keep this manual in close proximity of the product.</p> <p>The use, installation and service of this product must be in compliance with this manual to avoid accidents and serious personal injury.</p> <p>Never use or handle this product in other ways specified in this manual as it can result in personal safety hazards and/or cause damage to the product.</p> <p>Persons installing and/or using this product either as operator or user should have the necessary safety information and access to this manual.</p> <p>If the supply cord is damaged, it must be replaced by the manufacturer, its service agent or similarly qualified designated persons in order to avoid a hazard.</p>
---	--



Do not perform repairs, disassembly or assembly operations, add-ons, re-adjustments or modification of the product beyond what is described in this manual. These must be carried out by Ropox or Ropox authorized personnel. Do not perform service while in use.

This appliance can be used by children aged from 8 years and above and persons with reduced physical, sensory or mental capabilities or lack of experience and knowledge if they have been given supervision or instruction concerning use of the appliance in a safe way and understand the hazards involved. Children shall not play with the appliance.

Cleaning and user maintenance shall not be made by children without supervision.

Do not use the product if it has defects or have become damaged before being repaired or replaced.

If the control box makes unusual noise or smells, switch off the mains voltage immediately.

Take care that the cables are not damaged.

Unplug the mains cable on mobile equipment before it is moved.

The products must only be used in an environment that corresponds to their IP protection.



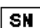



The information in this manual is based on correct installation in accordance with installation instructions for this product.

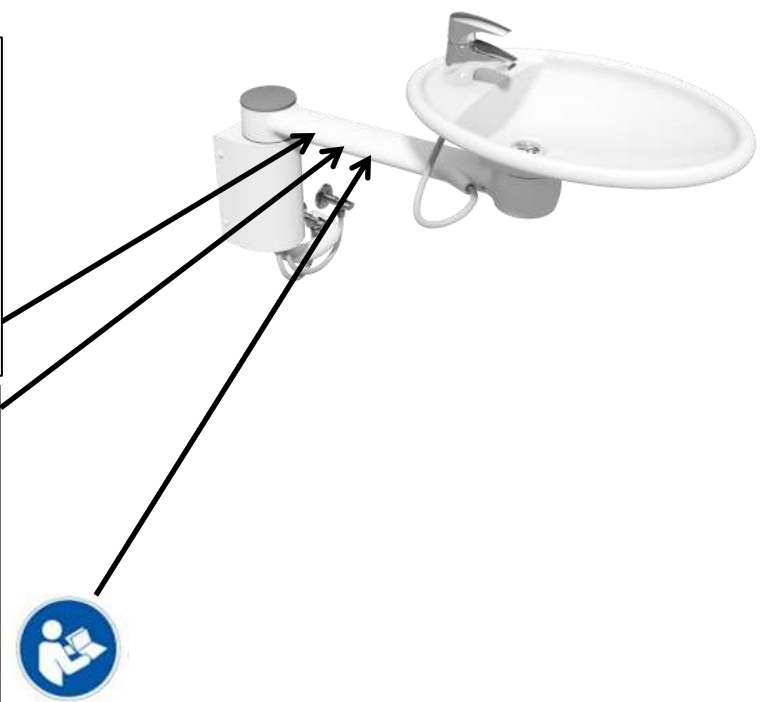
Ropox cannot be held liable if the product is used in any way that differs from stated in this manual and/or installation instruction.









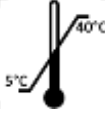

Ropox reserve the right to amend this manual and reference documents without prior notice.

2.1 Product Unit label

 2022-08
 REF 40-41140-7  SN N43-XXXX
Wash basin
 Ropox Swing Washbasin, Manual
 With long cover. Plumbing can be hidden
 Max load: 80 kg Mass of product: 18 kg

 05707581000065N45-XXXX

ROPOX WEB.: www.ropox.dk
 Ropox A/S,
 Ringstedgade 221, DK-4700 Naestved
 TLF: +45 5575 0500, E-mail: Info@ropox.dk
 UKCA
 CE  MD
 40°
 80%
 Transport & storage



	This product is UKCA-marked in accordance with: UK SI 2002 No. 618 - <i>The Medical Devices Regulations 2002</i> , and its amendments
	This product is CE-marked in accordance with: European Medical Device Regulation (EU)2017/745 Council Directive 2011/65/EU, RoHS
	Manufacturer name and address
	Date of production
	Stock number
	Serial number
	Consult manual for important safety related information, warnings and safety precautions.
	Do not dispose as unsorted municipal waste. Product must be returned to a designated recycling station.
	Operating and storing temperatures may not exceed 5-40C°
	Consult the instructions for use

3. General requirements

3.1 Product information

Manufacturer	Ropox A/S Ringstedgade 221 DK-4700 Naestved +45 55 75 05 00 Info@ropox.com	UK Responsible Person	Qserve Group UK, Ltd 49 Greek Street, W1D 4EG London United Kingdom +44 740 885 936 3 info@qservegroup.com
Product models	Part number	Model	Configuration
	40-41110 40-41120 40-41130 40-41140	Ropox Swing washbasin Ropox Swing washbasin Ropox Swing washbasin Ropox Swing washbasin	Fixed short cover Fixed long cover Manual short cover Manual long cover
Basic UDI	57075810001QV		
Expected service life	5 years		
MDR Class 2017/745	Class I		
Intended environments	This product is to be used only in: Professional Healthcare Environment Homecare Environment		
Maximum user weight according to ISO 17966	245kg / 539lbs when the wash basin is locked in dock-in (sold separately)		
	80kg / 176lbs free standing		
Height adjustment	15 cm		
Ambient temperature	-10 °C to +50 °C Transport and storage +5 °C to +40 °C Operation		
Relative humidity	20% to 80% - non-condensing		
Materials in contact with patient	Wash basin	Molded marble	
	Unit	Sand cast aluminum Stainless steel tube Various plastic components	

3.2 Product description

The SwingLine washbasin makes every day easier, both at home and in professional spaces, such as care homes and hospitals. It is height-adjustable and is able to rotate 180° increasing accessibility in the bathroom.

3.3 Intended use

The Swing Washbasin is a washbasin which can be swung to the user, which makes it possible for the user to wash hands before leaving the toilet. This increases the hygiene, makes the user more self-reliant and gives the assistant better working conditions. The Swing washbasin is available with manual height adjustment. Depending on the model, the height adjustment range is 15 cm for models without dock-in and 20 cm for models with dock-in. This means that the user and carer can set the level of the sink to the height that fits the user's needs. The height adjustment also makes the sink suited for both standing and seated use. It can be lowered for seated users, e.g., wheelchair users or elderly users who prefer to sit while washing hands or brushing teeth, and it can be raised for standing users or carers.

3.4 Intended operator

The intended operator may include all that have read and understood this manual exempt kids.

3.5 Essential performance

The device does not have any function related to basic safety or essential performance. In case of loss or degradation of performance, the user can still wash their hands or chose not to.

3.6 Non-clinical functions

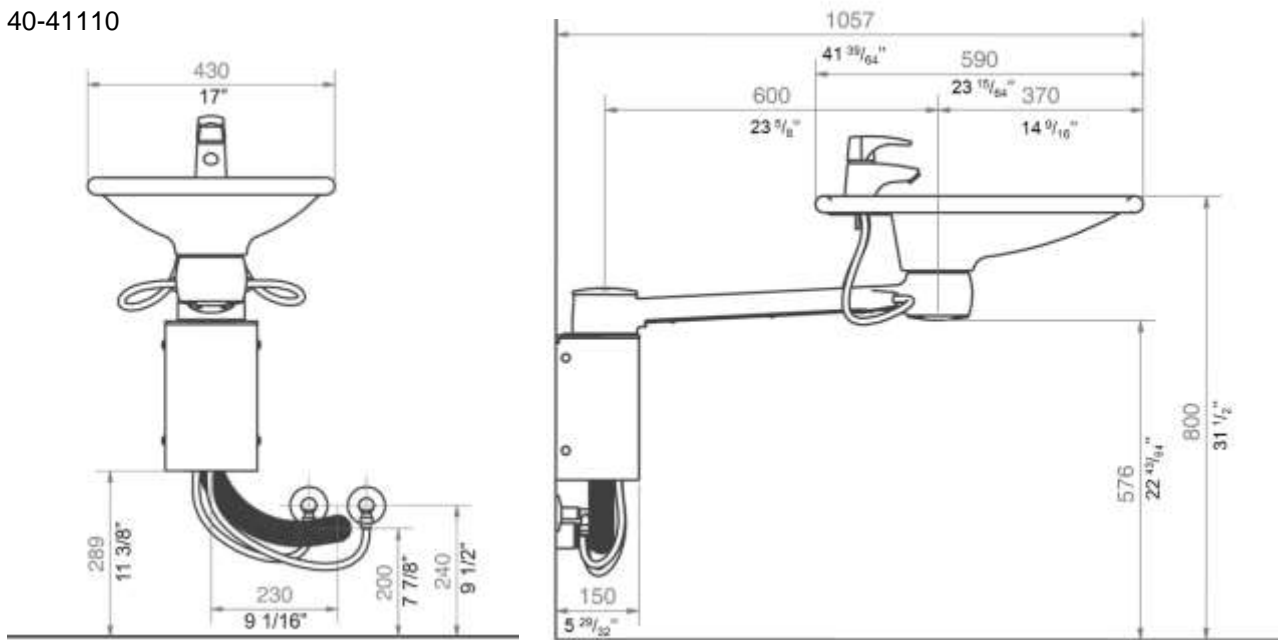
Height adjusting offers better ergonomics to the user.

3.7 Clinical functions

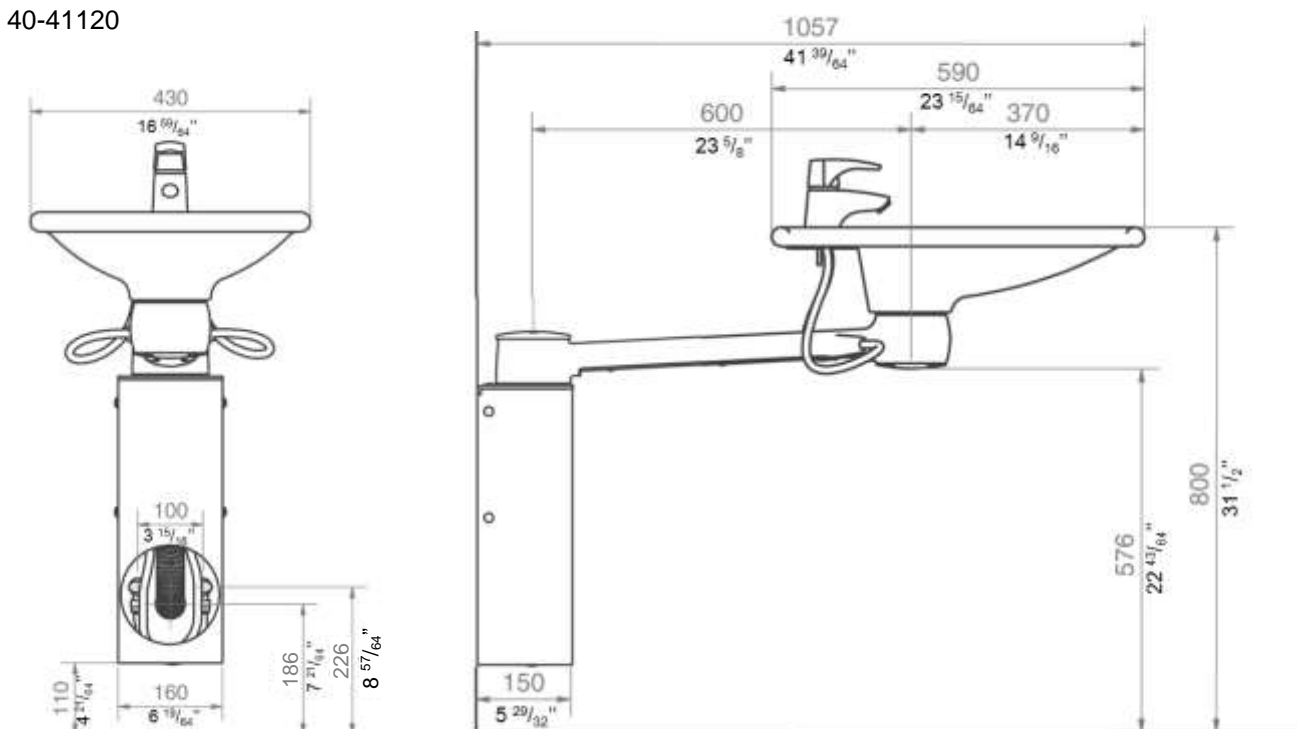
This product does not offer clinical benefit for patients, when used as intended by the manufacturer.

3.8 Product dimensions

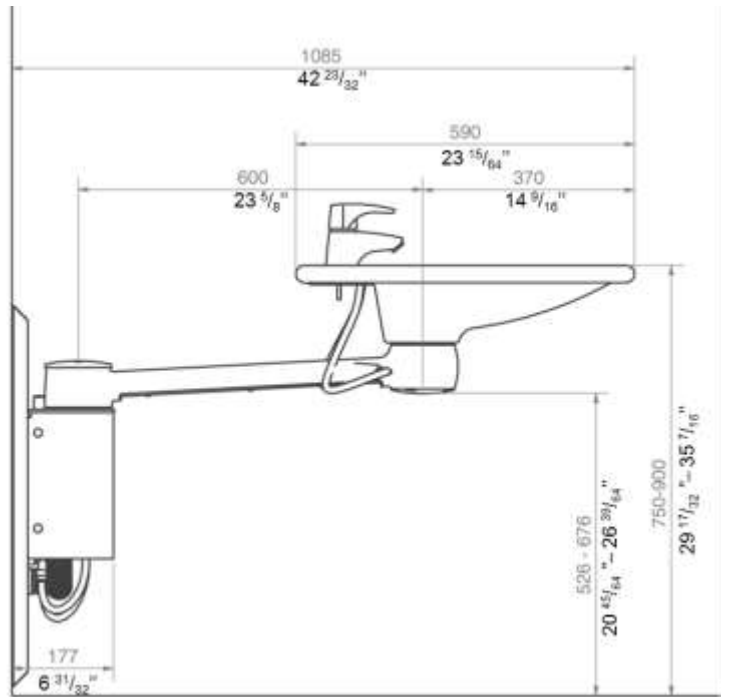
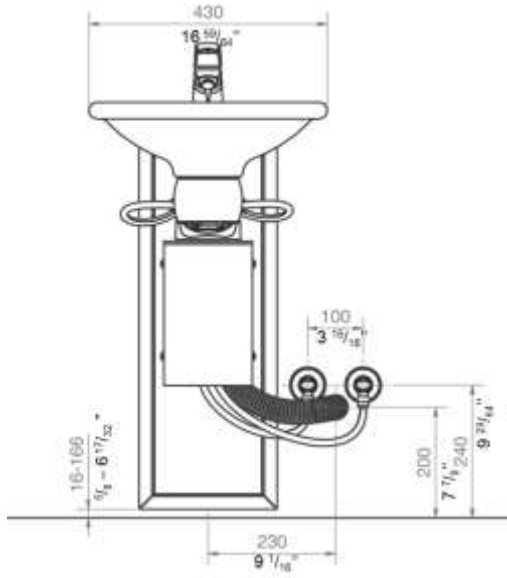
40-41110



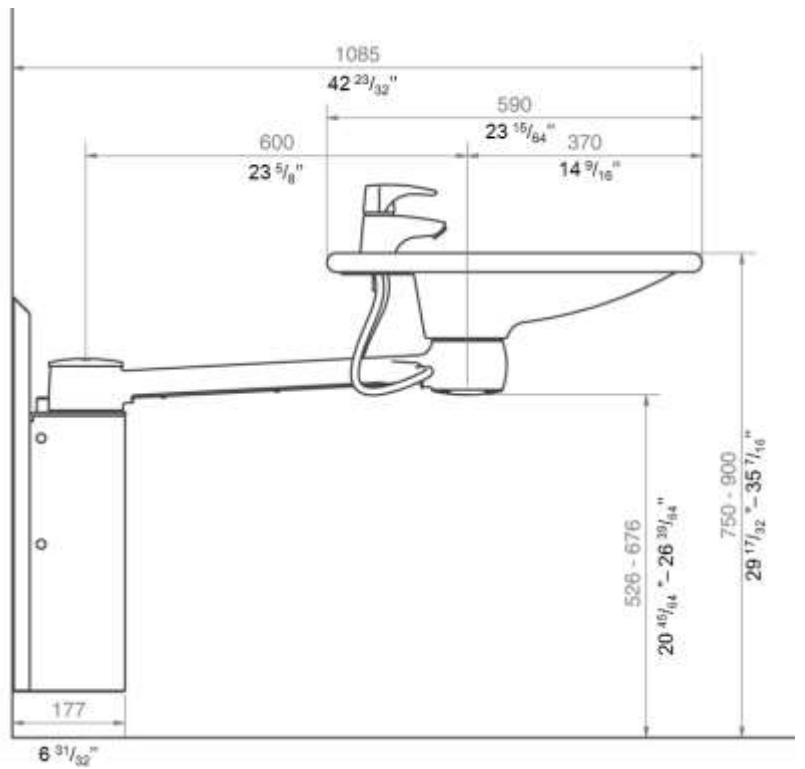
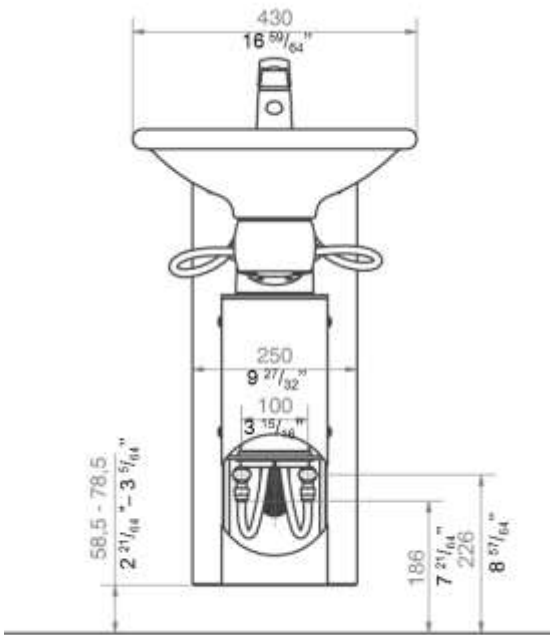
40-41120



40-41130



40-41140


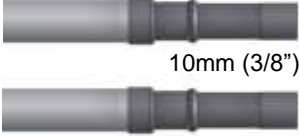




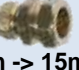



NB: All dimensions are in mm and inches





3.9 Connection adapters

The highlighted components can be bought separately depending on the type of building installation requirements.








Water supply

Swing Wash Basin	Hose from basin	Adapters	Installation in room (not included)
	 10mm (3/8")	 10mm -> 1/2" Item no. 97001667	 1/2" Thread
		 10mm -> 3/8" Item no. 97001668	 3/8" Thread
		 10mm -> 15mm Item no. 97001665	 15mm Pipe





Water hose extensions

Hose from basin	Coupling piece	Extra hose
 10mm	 10mm -> 1/2" Item no. 97001101	 1/2" x 1/2", 0,5m, steel Item no. 97001123
		 1/2" x 1/2", 1m, plastic Item no. 97001120

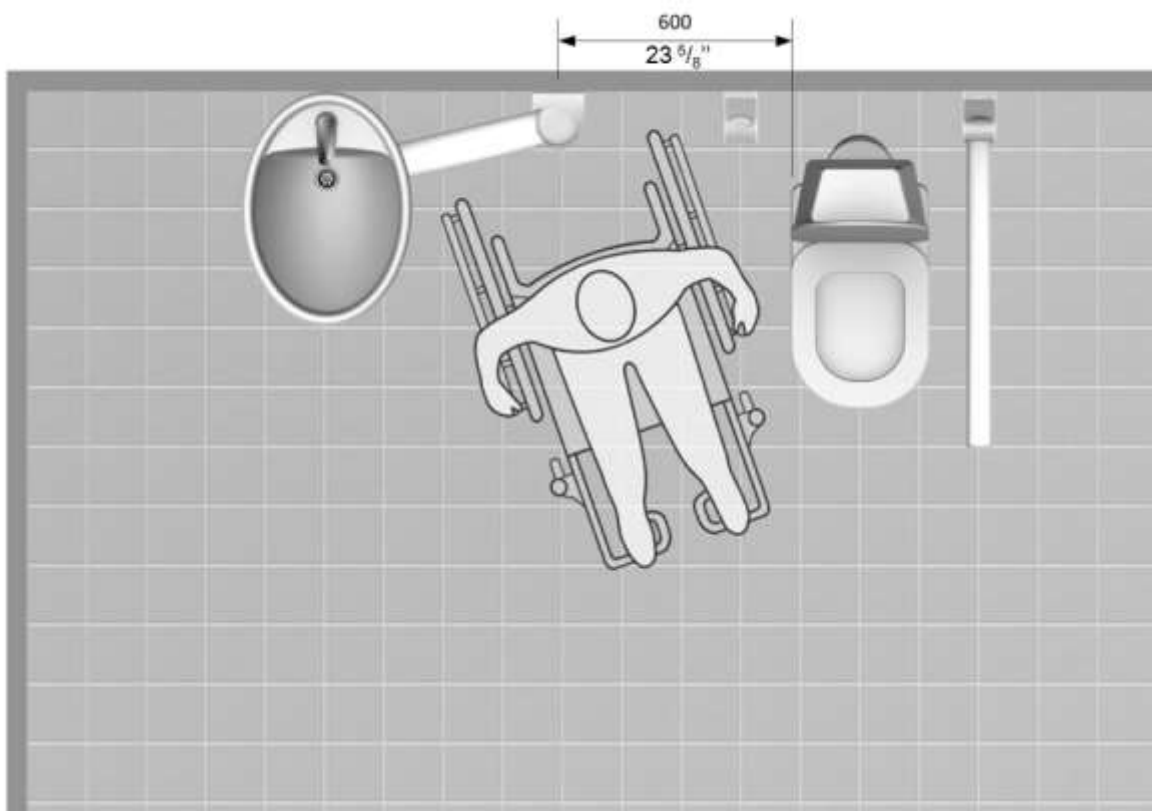
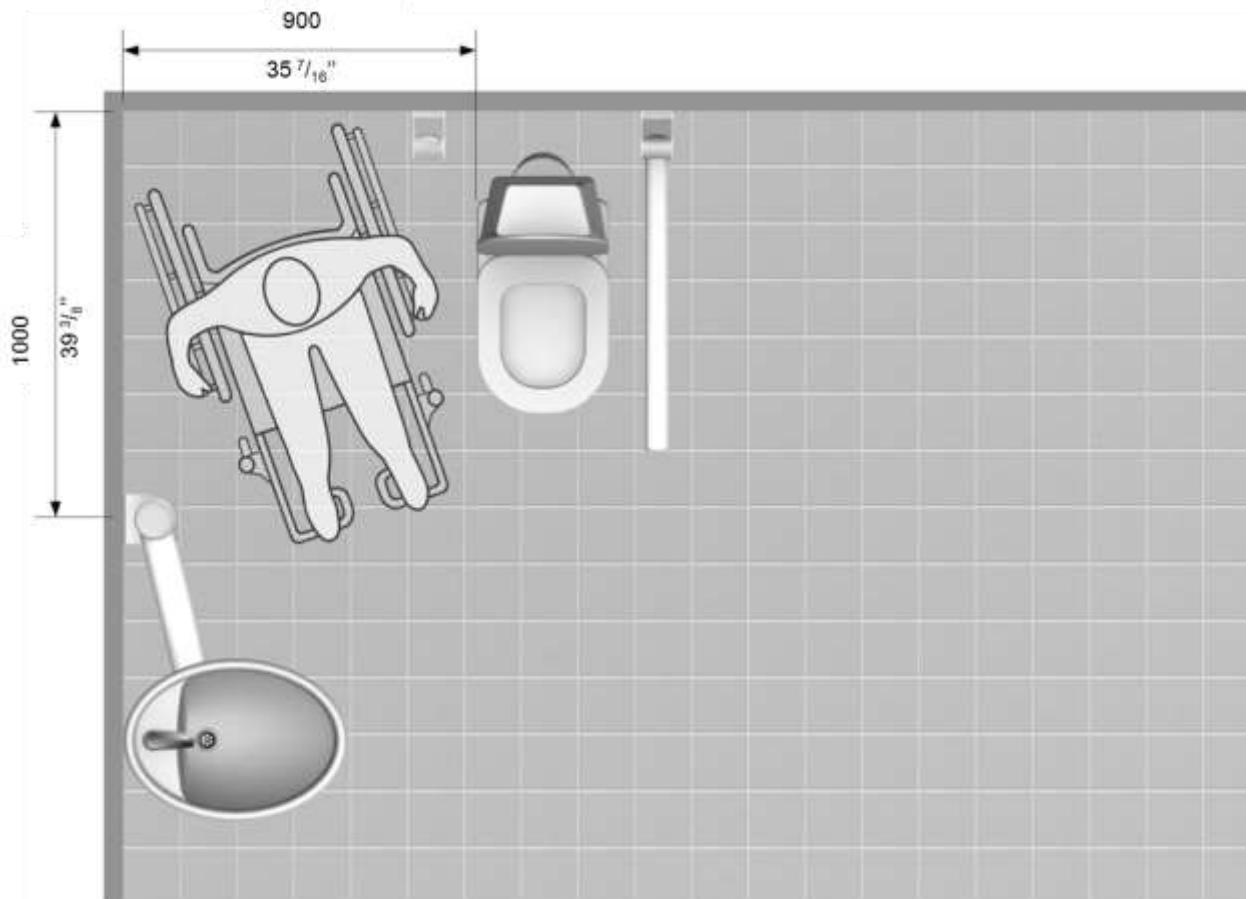
Drain

Swing Wash Basin	Drain pipe from basin	Adapters	Installation in room (not included)
	 Ø32 (1 ¼")	No adapter necessary	 Ø32 (1 ¼")
		 Ø32 -> Ø40 Item no. 97001660	 Ø40 (1 ½")
		 Ø32 -> Ø50 Item no. 97001661	 Ø50 (2")

Drain pipe extensions

Drain pipe from basin	Coupling piece	Extra drain pipe
 Ø32 (1 ¼")	 Ø32-Ø32 Item no. 97001062	 Ø32 Flex hose, 27-62cm Item no. 97001162
		 Ø32 Flex hose, 40-110cm Item no. 97001161

3.10 Layout proposals



4. Instruction for use

4.1 Operating the product



Ropox Swing Wash Basin has a turning function, which means that it is **NOT** allowed to be used as a walking or standing support.



If the wash basin is locked in the Dock-in it functions as a standard wash basin and is safe to use as a standing support.

Maximum Loads

Locked in dock-in (sold separately)

A 245kg/539lbs person is able to lean on the basin while standing, without causing any significant deformation or safety risk.

Wash basin free standing

An 80kg/176lbs person is able to lean on the basin while standing without causing any significant deformation or safety risk.



	<p>Warning!</p> <p>Make sure that the wash basin is locked correctly in dock-in, when using it as a standing support.</p>
	<p>Caution!</p> <p>Do not sit or fully displace your body weight on the sink or on the swing arm.</p>

4.2 Adjusting the height



Warning!

The product should always be able to travel the full range of actuation without colliding with objects. Failing to do so will compromise the product stability.

4.3 Installation of product



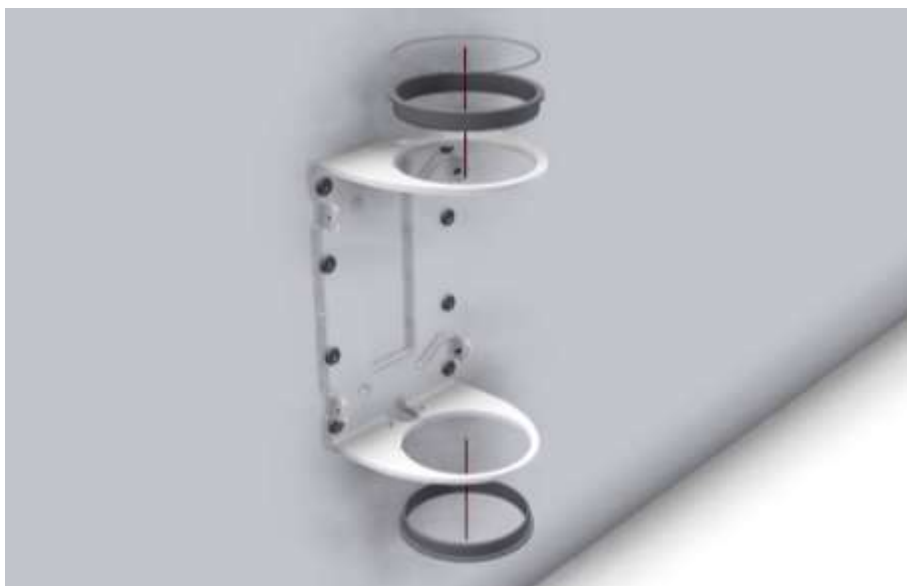
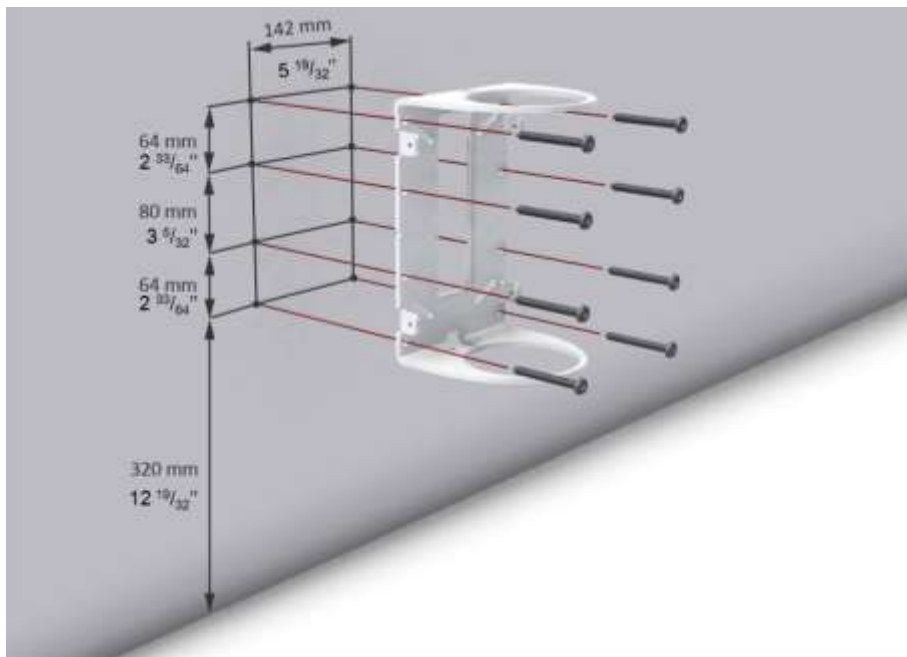
Warning!

The fitter should always consider the material, condition and strength of the wall and use screws and rawplugs suitable for the specific wall type.

4.3.1 Model 40-41110 + 40-41120

The screws and raw plugs included are for mounting on a concrete wall. The installer must always examine the material, condition and strength of the wall and use appropriate screws and raw plugs. Maximum load in the top screws are 190lbs.

The measurements on the wall, shown below, position the wash basin in the recommended height of 800mm - 31 1/2" from the floor.



40-41110



40-41120





$\text{Ø}10\text{mm} - 3/8''$



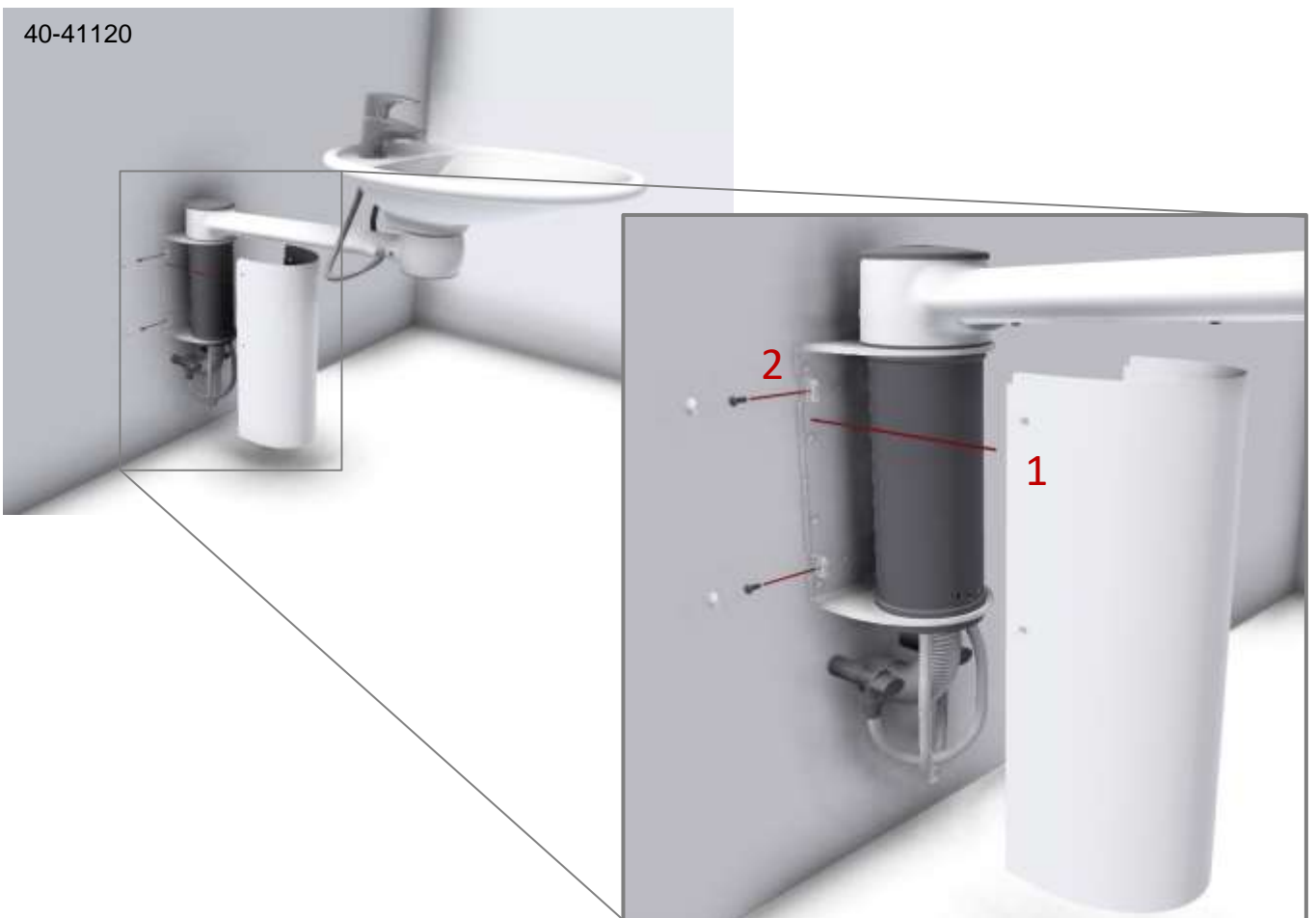
$\text{Ø}10\text{mm} - 3/8''$



40-41110



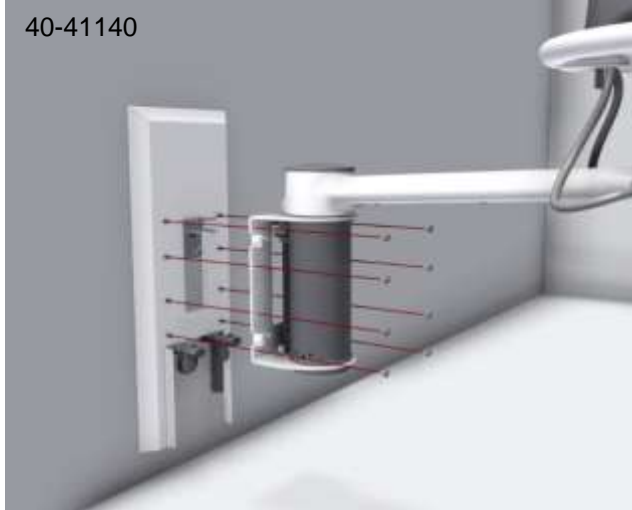
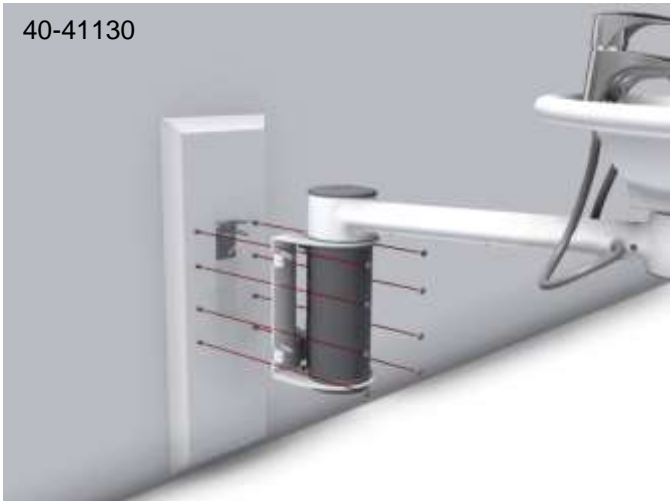
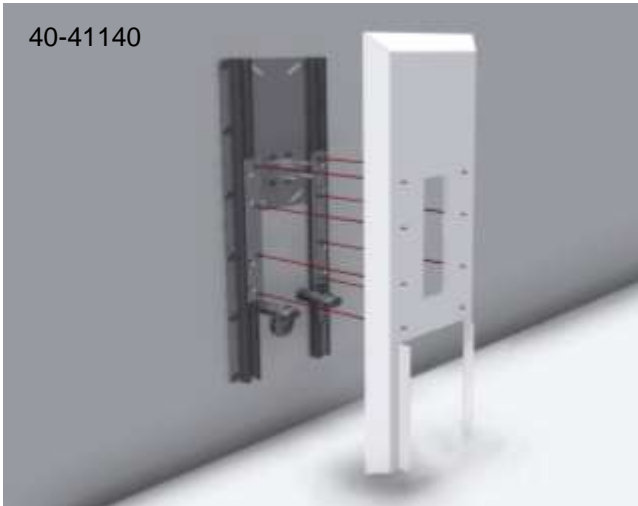
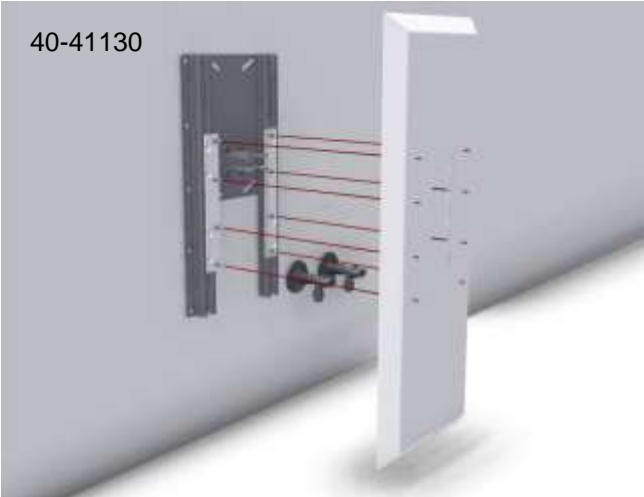
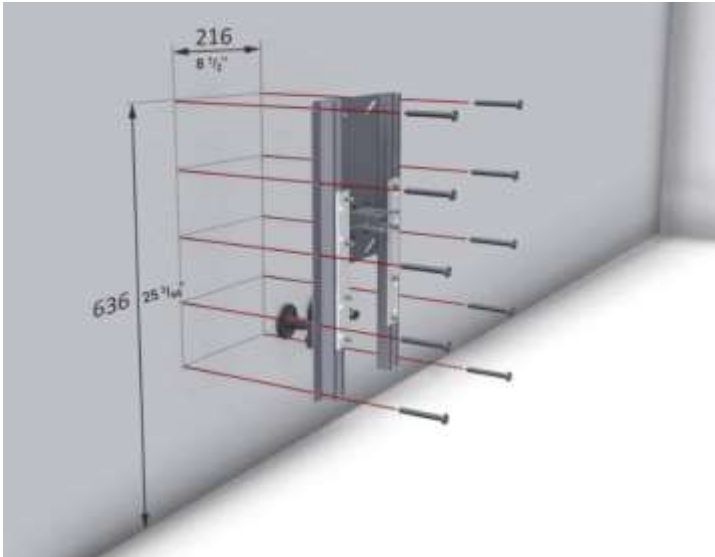
40-41120



4.3.2 Model 40-41130 + 40-41140

The screws and raw plugs included are for mounting on a concrete wall. The installer must always examine the material, condition and strength of the wall and use appropriate screws and raw plugs. Maximum load in the top screws are 88kg/190lbs.

The measurements on the wall, shown below, enable the wash basin to be height adjusted 750-900mm / 29 17/32" – 35 7/16" from the floor.



40-41130



40-41140



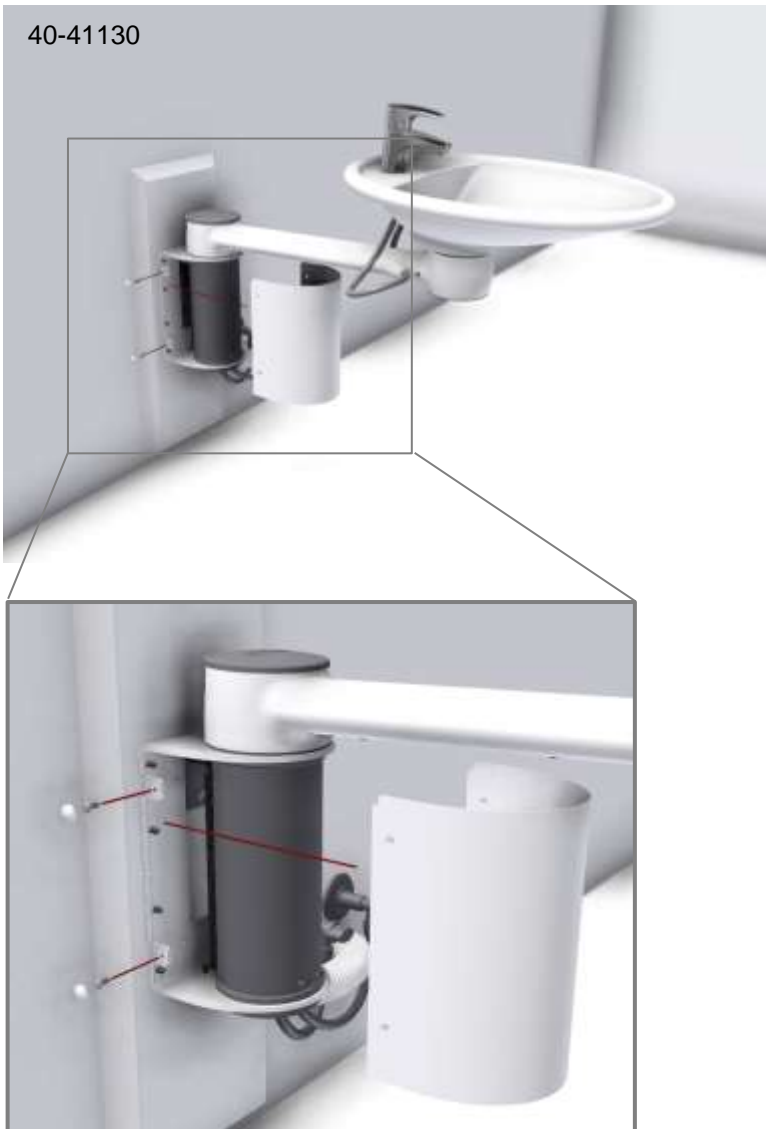
Ø10 - 3/8"



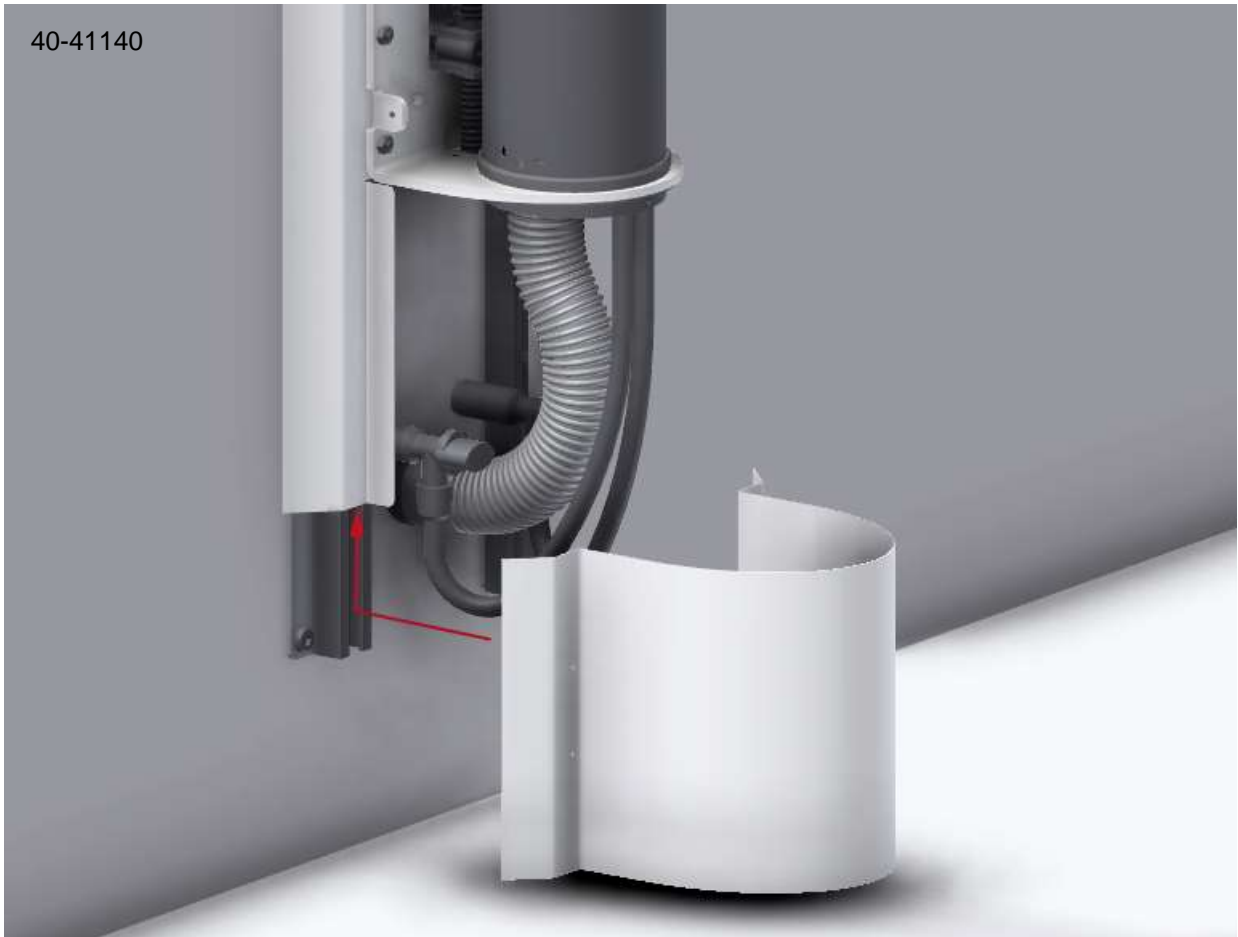
Ø10 - 3/8"



40-41130



40-41140



40-41140



40-41140



40-41140



Note!

If the wash basin is delivered with a touchless mixer tab, this might need to be calibrated to accommodate the specific light settings in the room as well as any individual user needs. The calibration has to be done according to the user manual of the mixer tab which is supplied with the wash basin.

4.4 Installation interfaces

4.4.1 Fixed height with low wall unit (40-41110)

Construction

The wall must be made of a material suited for screw mounting and approved for damp rooms.

The hatched area is the minimum area for reinforcement of the wall.

Reinforcement from floor to ceiling is advisable.

Load-tested according to DS/ISO 17966 the maximum user weight is 80kg (176 lbs).

Max. tensile load of upper screws 88kg/screw (194lbs/screw)

The washbasin is supplied with a set of 8 screws and rawplugs suitable for mounting on a concrete wall. The fitter should always consider the material, condition and strength of the wall and use screws and rawplugs suitable for the specific wall type.

Plumbing

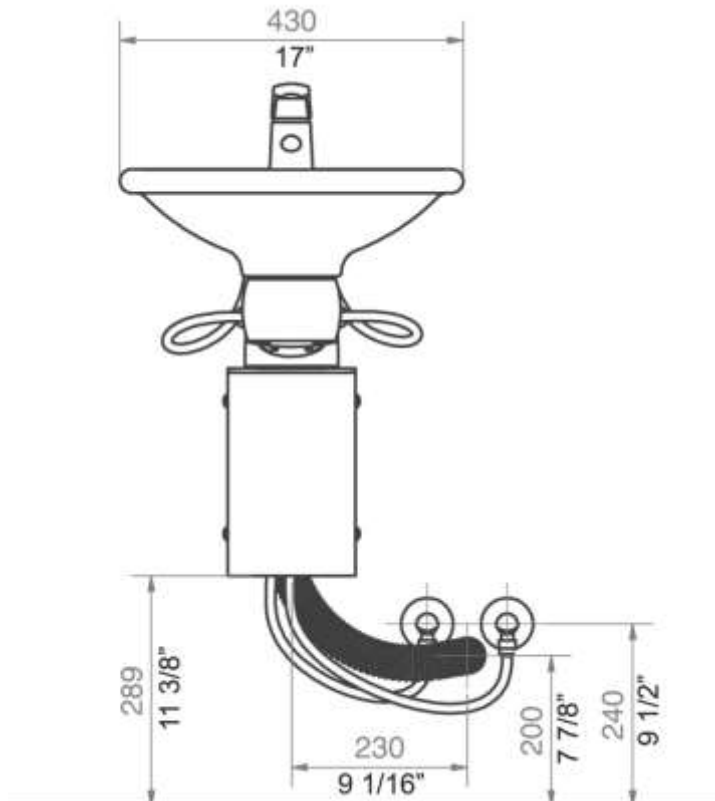
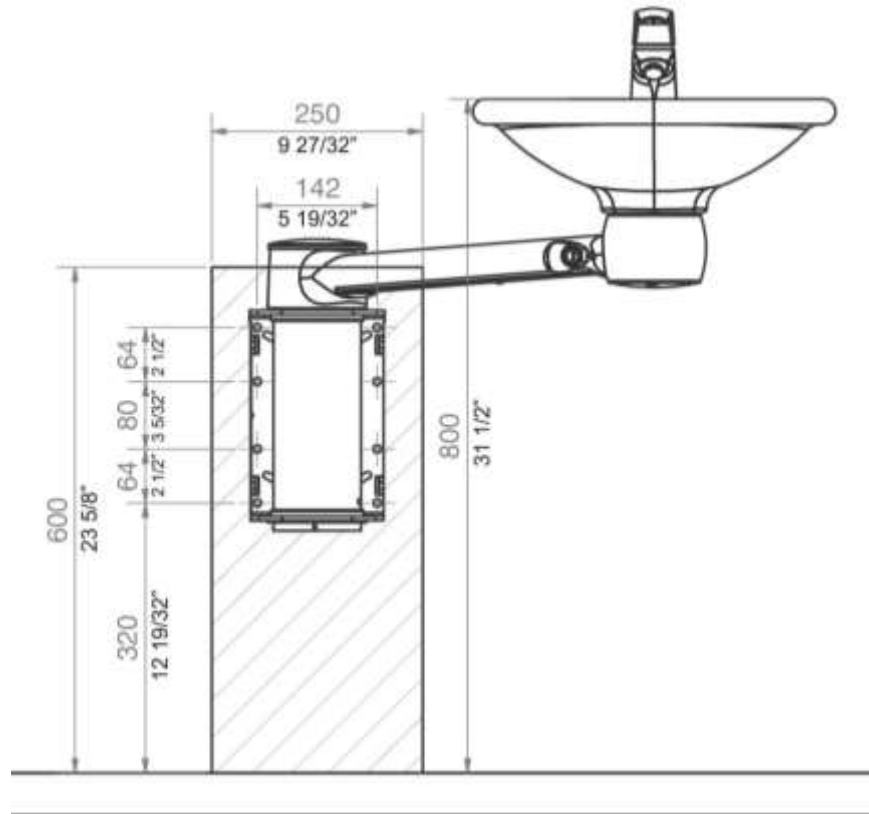
The drain hose is a flexible Ø32 (1 ¼") hose.

The water supply ends in 2 (two) 90° shut-off valves with ½" or 3/8" outside thread pointing downward (not included). The flexible water connection hoses from the washbasin end in Ø10 pipes. Adapter fittings from these pipes to the shut-off valves are available with Ropox and as standard plumbing components. If a location of the drain higher than the recommended positioning is required, there may be a risk of reduced draining from the washbasin.

For purchase of adapters for connection to various standard installations, see "Connection Adapters – Swing Washbasin".

Note:

All dimensions are based on a washbasin height of 800mm (21 1/2") above floor level. If a change of this height is required, the recommended dimensions must be changed accordingly.



4.4.2 Fixed height with high wall unit (40-41120)

Construction

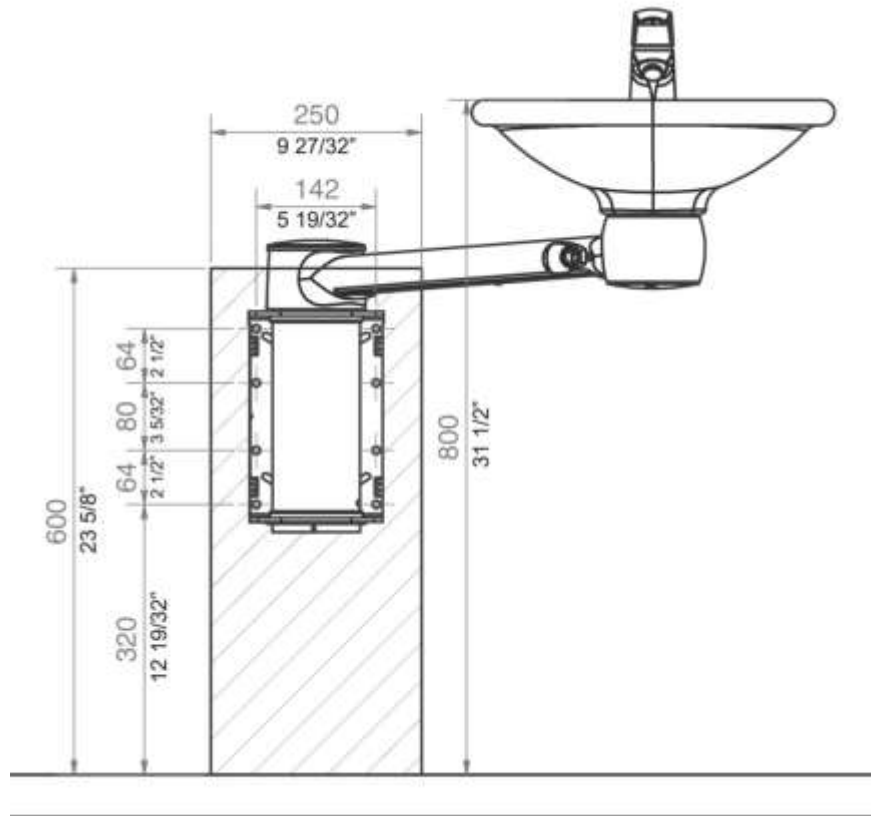
The wall must be made of a material suited for screw mounting and approved for damp rooms. The hatched area is the minimum area for reinforcement of the wall. Reinforcement from floor to ceiling is advisable.

Load-tested according to DS/ISO 17966 the maximum user weight has been fixed at 80kg (176 lbs).

Max. tensile load of upper screws

88kg/screw (194lbs/screw)

The washbasin is supplied with a set of 8 screws and rawplugs suitable for mounting on a concrete wall. The fitter should always consider the material, condition and strength of the wall and use screws and rawplugs suitable for the specific wall type.



Plumbing

The drain hose is a flexible Ø32 (1 ¼") hose.

The water supply ends in 2 (two) 90° shut-off valves with ½" or 3/8" outside thread pointing downward (not included).

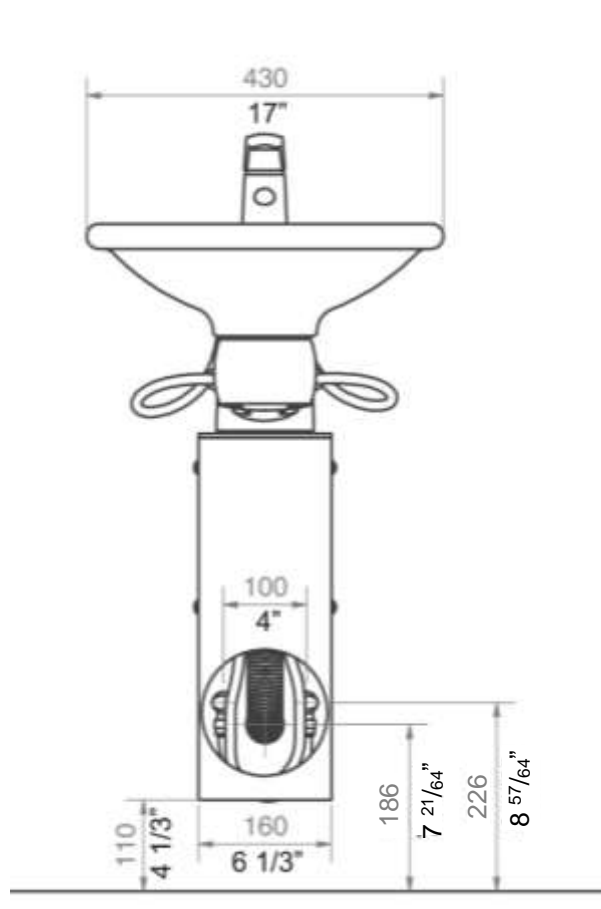
The flexible water connection hoses from the washbasin end in Ø10 pipes. Adapter fittings from these pipes to the shut-off valves are available with Ropox and as standard plumbing components.

If a location of the drain higher than the recommended positioning is required, there may be a risk of reduced draining from the washbasin.

For purchase of adapters for connection to various standard installations, see "Connection Adapters – Swing Washbasin".

Note:

All dimensions are based on a washbasin height of 800mm (23 5/8") above floor level. If a change of this height is required, the recommended dimensions must be changed accordingly.



4.4.3 Height-adjustable with low wall unit (40-41130)

Construction

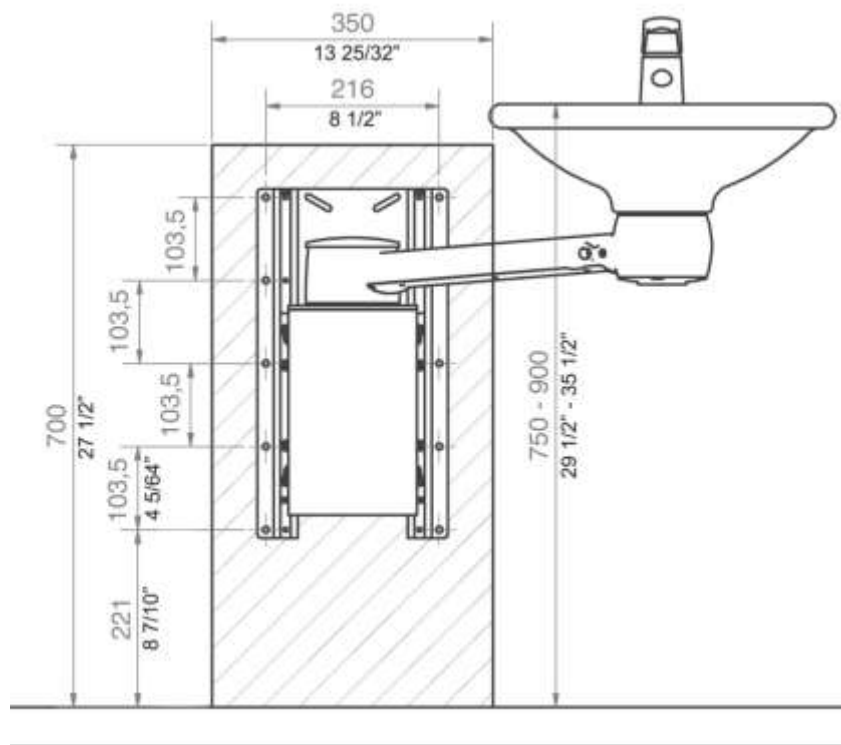
The wall must be made of a material suited for screw mounting and approved for damp rooms. The hatched area is the minimum area for reinforcement of the wall. Reinforcement from floor to ceiling is advisable.

Load-tested according to DS/ISO 17966 the maximum user weight has been fixed at 80kg (176 lbs).

Max. tensile load of upper screws

88kg/screw (194lbs/screw)

The washbasin is supplied with a set of 10 screws and rawplugs suitable for mounting on a concrete wall. The fitter should always consider the material, condition and strength of the wall and use screws and rawplugs suitable for the specific wall type.



Plumbing

The drain hose is a flexible Ø32 (1 ¼") hose.

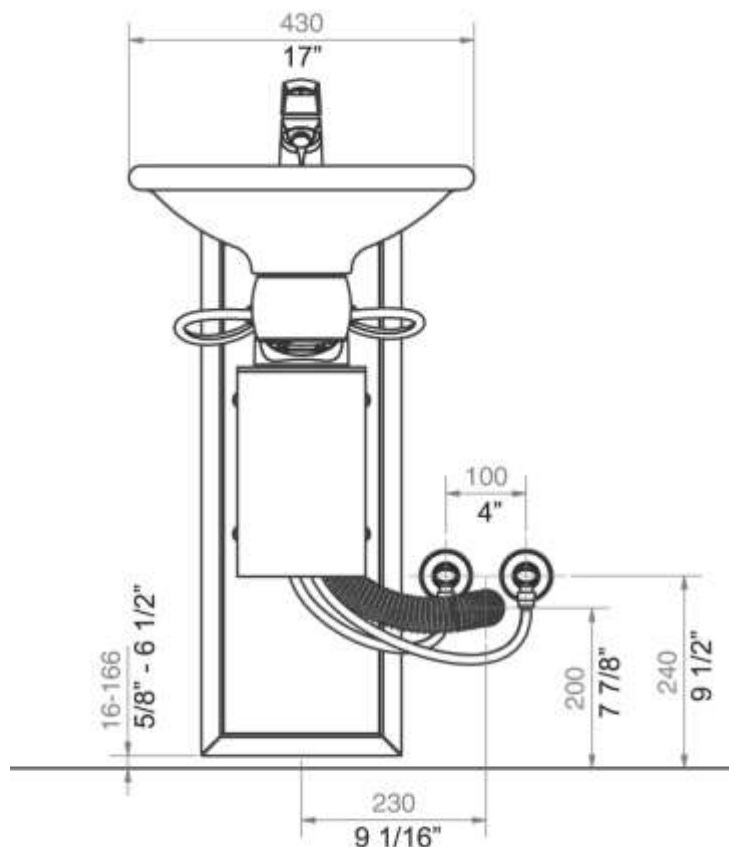
The water supply ends in 2 (two) 90° shut-off valves with ½" or 3/8" outside thread pointing downward (not included). The flexible water connection hoses from the washbasin end in Ø10 pipes. Adapter fittings from these pipes to the shut-off valves are available with Ropox and as standard plumbing components.

If a location of the drain higher than the recommended positioning is required, there may be a risk of reduced draining from the washbasin.

For purchase of adapters for connection to various standard installations, see "Connection Adapters – Swing Washbasin".

Note:

All dimensions are based on adjustment of the washbasin from 750 - 900 mm (29 ½" – 35 ½") above floor level. If a change of this adjustment range is required, the recommended dimensions must be changed accordingly.



4.4.4 Height-adjustable with high wall unit (40-41140)

CONSTRUCTION

The wall must be made of a material suited for screw mounting and approved for damp rooms.

The hatched area is the minimum area for reinforcement of the wall.

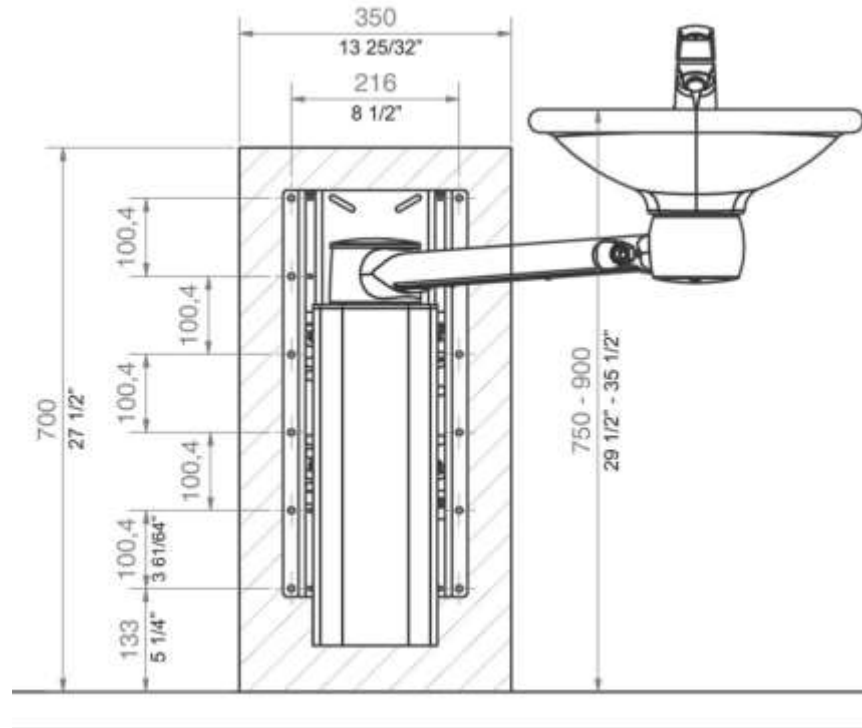
Reinforcement from floor to ceiling is advisable.

Load-tested according to DS/ISO 17966 the maximum user weight has been fixed at 80kg (176 lbs).

Max. tensile load of upper screws

88kg/screw (194lbs/screw)

The washbasin is supplied with a set of 12 screws and rawplugs suitable for mounting on a concrete wall. The fitter should always consider the material, condition and strength of the wall and use screws and rawplugs suitable for the specific wall type.



PLUMBING

The drain hose is a flexible Ø32 (1 ¼") hose.

The water supply ends in 2 (two) 90° shut-off valves with ½" or 3/8" outside thread pointing downward (not included).

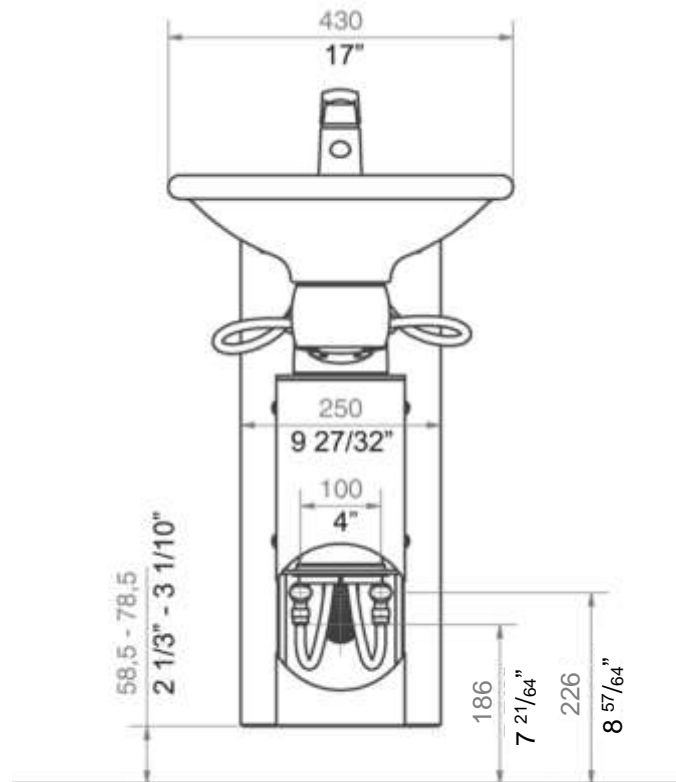
The flexible water connection hoses from the washbasin end in Ø10 pipes. Adapter fittings from these pipes to the shut-off valves are available with Ropox and as standard plumbing components.

If a location of the drain higher than the recommended positioning is required, there may be a risk of reduced draining from the washbasin.

For purchase of adapters for connection to various standard installations, see "Connection Adapters – Swing Washbasin".

Note:


All dimensions are based on adjustment of the washbasin from 750 - 900 mm (29 ½" – 35 ½") above floor level. If a change of this height-adjustment range is required, the recommended dimensions must be changed accordingly.



5. Safety in use

- The Ropox Swing Wash Basin should only be used by people, who have read and understood these instructions.
- Always use the washbasin so there is no risk of damage to people or property. The person, who operates the Ropox Swing Wash Basin, is responsible for avoiding damage or injury.
- Children or persons with reduced observation capability should only use the washbasin when supervised.
- If the washbasin is used in publicly accessible locations where children or people with reduced observation ability may get close to the Ropox Swing Wash Basin, the person operating the washbasin must pay sufficient attention in order to prevent dangerous situations.
- Do not operate the washbasin in case of defects or damage.
- Do not overload the washbasin.
- Modifications, which may influence the operation or construction of the wash basin, are not allowed.
- Installation, service and repairs must be carried out by competent personnel.
- If the washbasin has not been assembled according to these mounting instructions the right to complain may become void.
- Only use Ropox original spare parts as replacement parts. If other spare parts are used, the right to complain may become void.
- Be aware not to swing the wash basin into the wall at great force it might damage the wash basin or wall.
- Keep notice that there is no overflow build into the wash basin. Only use Ropox' overflow plug to fill the wash basin. Overflow of water can cause slippery floor and should be avoided to minimize the risk of slipping or falling.
- To avoid risk of pinching be aware not to place your hand between the wash basin and dock-in when locked in position.
- Be aware to check that the wash basin is properly locked in place in the dock-in before applying any loads.
- The wash basin may only be applied to personal hygiene purposes.
- Do not lean on the accessories attached to the wash basin.
- To avoid entrapment do not place you head or body parts between the water connection hose and the swinging arm.
- Be aware that the wash basin might be slippery if covered in water and soap.

6. Cleaning

	<p>Note!</p> <p>Do not use cleaning agents containing abrasive e.g. scouring powder, steel wool, scouring sponge.</p> <p>This product is not designed to be sterilized, autoclaving and sterilization beyond normal cleaning is may possibly change the product safety and function.</p>
---	---

6.1 Cleaning of the wash basin

It is important that the wash basin is cleaned according to these guidelines.


Clean the washbasin with a wrung cloth with lukewarm water and a mild detergent. Do not use abrasives or grinding cloths.

Ropox Swing wash basin is made of a composite material of marble and plastic granulate with a gel coat surface. This gives a hard and very hardwearing finish, which is easy to clean. Wash the surfaces daily with water and dry with a cloth. Do not use detergents containing hard abrasives – e.g. steel wool, scouring powder or sulfuric acid.

If the water has high calcium content, calcareous deposits will often occur. These deposits should be removed at least once a week by using a detergent containing citric acid, acetic acid or phosphoric acid. Leave the detergent to work for 5 to 10 minutes depending on the thickness of the deposits and clean thoroughly with a soft sponge.

Disinfection of the basin may be done with household spirits.

7. Maintenance

	<p>Note!</p> <p>Failing to comply with periodic maintenance may result of degrading of product function and safety.</p>
---	--

The wash basin is maintenance-free, and the moving parts have been lubricated for life. For reasons of safety and reliability we recommend inspection of the washbasin once a year:

- Check that all bolts have been securely tightened.
- Check that the washbasin rotates freely and that the arm swings properly

After each inspection, fill in the service schedule.

Only use Ropox original spare parts for replacement of parts. If other spare parts are used, the right to complain may become void.

8. Components part list



Note!

Ropox will make parts list available for extraordinary maintenance and repair beyond what is described in this manual. Repair beyond what is described in this manual may only be done by Ropox designated service personnel.

9. Environmental protection

The product is not intended to be disposed as municipal waste. Proper disassembly, sorting and disposal of components must be done by waste disposal professionals.



Part	Disposal recommendation
Wash basin	Ceramic
Main unit	Steel
Faucet	Steel
Cover	Aluminum

10. Complaints

See our general terms of sale and delivery on www.ropox.com

UK
CA



ROPOX A/S

Ringstedgade 221

DK – 4700 Næstved

Tel.: +45 55 75 05 00 Fax.: +45 55 75 05 50

E-mail: info@ropox.dk

www.ropox.com