



Ropox StandardLine Washbasin

40-14770, 40-14771, 40-14772, 40-14773

User manual and Mounting instructions

This manual should always be in close proximity to the product.




Table of Contents

| | | |
|------------|--|-----------|
| 1. | SYMBOLS USED IN THIS MANUAL | 3 |
| 2. | GENERAL SAFETY..... | 3 |
| 2.1 | PRODUCT UNIT LABEL..... | 5 |
| 3. | GENERAL REQUIREMENTS..... | 6 |
| 3.1 | PRODUCT INFORMATION..... | 6 |
| 3.2 | INTENDED USE..... | 6 |
| 3.3 | INTENDED OPERATOR | 6 |
| 3.4 | ESSENTIAL PERFORMANCE..... | 7 |
| 3.5 | NON-CLINICAL FUNCTIONS..... | 7 |
| 3.6 | CLINICAL FUNCTIONS | 7 |
| 3.7 | PRODUCT DIMENSIONS..... | 7 |
| 3.8 | OPERATION..... | 9 |
| 4. | MOUNTING INSTRUCTION | 10 |
| 4.1 | INSTALLATION INTERFACES..... | 10 |
| 4.2 | CONNECTION ADAPTERS | 12 |
| 4.3 | LIST OF COMPONENTS..... | 13 |
| 4.4 | INSTALLATION OF PRODUCT..... | 16 |
| 4.5 | CABLE DIAGRAM | 24 |
| 5. | FUNCTIONALITY TESTING..... | 25 |
| 6. | SAFETY IN USE | 25 |
| 7. | CLEANING..... | 26 |
| 8. | TROUBLESHOOTING | 26 |
| 9. | MAINTENANCE | 27 |
| 9.1 | SERVICE SCHEDULE..... | 28 |
| 10. | SPARE PARTS | 29 |
| 11. | ENVIRONMENTAL PROTECTION | 29 |
| 12. | ELECTROMAGNETIC COMPATIBILITY | 30 |
| 12.1 | SUITABLE ENVIRONMENTS..... | 30 |
| 12.2 | ADJACENT AND STACKED USE | 30 |
| 12.3 | CABLES..... | 30 |
| 12.4 | RF PORTABLE EQUIPMENT..... | 30 |
| 13. | COMPLAINTS..... | 30 |




It is important to read this manual prior to mounting and use

1. Symbols used in this manual

| | |
|---|---|
| Warning Symbol Indication of potentially hazardous situation. If not avoided, it can result in serious injury or death. |  |
| Caution Symbol Indication of potentially hazardous situation which may result in minor or moderate injury. It may also be used to alert against unsafe practices. |  |
| Notification Symbol This symbol is used to notify correct use and handling of the product. |  |

2. General safety

| | |
|---|--|
|  | <p>This manual must be read and understood before use. Always keep this manual in close proximity of the product.</p> <p>The use, installation and service of this product must be in compliance with this manual to avoid accidents and serious personal injury.</p> <p>Never use or handle this product in other ways specified in this manual as it can result in personal safety hazards and/or cause damage to the product.</p> <p>Persons installing and/or using this product either as operator or user should have the necessary safety information and access to this manual.</p> <p>If the supply cord is damaged, it must be replaced by the manufacturer, its service agent or similarly qualified designated persons in order to avoid a hazard.</p> |
|---|--|



Do not perform repairs, disassembly or assembly operations, add-ons, re-adjustments or modification of the product beyond what is described in this manual. These must be carried out by Ropox or Ropox authorized personnel. Do not perform service while in use.

This appliance can be used by children aged from 8 years and above and persons with reduced physical, sensory or mental capabilities or lack of experience and knowledge if they have been given supervision or instruction concerning use of the appliance in a safe way and understand the hazards involved. Children shall not play with the appliance. Cleaning and user maintenance shall not be made by children without supervision.

Do not use the product if it has defects or have become damaged before being repaired or replaced.
If the control box makes unusual noise or smells, switch off the mains voltage immediately.

Take care that the cables are not damaged.

Unplug the mains cable on mobile equipment before it is moved.

The products must only be used in an environment that corresponds to their IP protection.

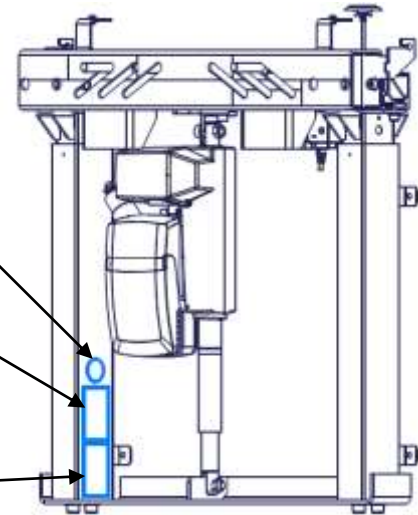
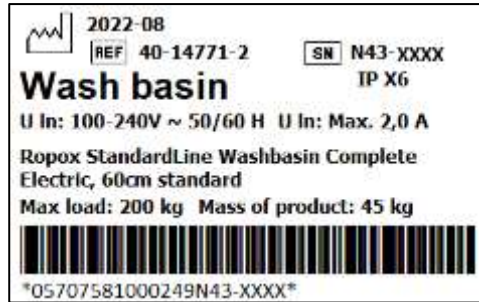















The information in this manual is based on correct installation in accordance with installation instructions for this product.

Ropox cannot be held liable if the product is used in any way that differs from stated in this manual and/or installation instruction.

Ropox reserve the right to amend this manual and reference documents without prior notice.

2.1 Product Unit label



| | |
|---|---|
|  | <p>This product is UKCA-marked in accordance with:</p> <p>UK SI 2002 No. 618 - <i>The Medical Devices Regulations 2002</i>, and its amendments</p> |
|  | <p>This product is CE-marked in accordance with:</p> <p>European Medical Device Regulation (EU)2017/745</p> <p>Council Directive 2011/65/EU, RoHS</p> |
|  | <p>Manufacturer name and address</p> |
|  | <p>Date of production</p> |
|  | <p>Stock number</p> |
|  | <p>Serial number</p> |
|  | <p>Operating interval of electrically operated equipment. The use of electrical height adjustable equipment can run at maximum 2 minutes, followed by an 18-minute break.</p> |
|  | <p>Type BF applied part. The product complies with IEC 60601-1 requirements to provide protection against electric shock.</p> |
|  | <p>Consult manual for important safety related information, warnings and safety precautions.</p> |
|  | <p>Class II, double isolated electrical components.</p> |
|  | <p>Do not dispose as unsorted municipal waste. Product must be returned to a designated recycling station.</p> |
|  | <p>Operating and storing temperatures may not exceed 5-40C°</p> |
|  | <p>Consult manual before use</p> |

3. General requirements

3.1 Product information

| | | | |
|--|---|--|--|
| Manufacturer | Ropox A/S Ringstedgade 221 DK-4700 Naestved +45 55 75 05 00 Info@ropox.com | UK Responsible Person | Qserve Group UK, Ltd 49 Greek Street, W1D 4EG London United Kingdom +44 740 885 936 3 info@qservegroup.com |
| Product models | Part number | Model | Configuration |
| | 40-14770 40-14771 40-14772 40-14773 | StandardLine StandardLine StandardLine StandardLine | Unit without washbasin Standard washbasin Support washbasin Hospital washbasin |
| Expected service life | 5 years | | |
| MDR Class 2017/745 | Class I | | |
| Applied part classification 60601-1 | Type BF applied part | | |
| MEE Class 60601-1 | Class II | | |
| Height adjustment | 40-14770 40-14771 40-14772 40-14773 | 30cm range 70 – 100cm 68.5 – 98.5cm 70 – 100cm | |
| Maximum user weight according to DS/EN 17966:2016 | 200kg / 440lb | | |
| Power supply | 230V ~50Hz | | |
| I in | Max 2.5A | | |
| Intermittence | 2min use / 18min pause | | |
| IP rating | IPX6 | | |
| Ambient temperature range | -10 °C to +50 °C Transport and storage +5 °C to +40 °C Operation | | |
| Relative humidity | 20% to 80% - non-condensing | | |
| Intended environments | This product is to be used only in: Professional Healthcare Environment Homecare Environment <i>The device is not intended for use in special environments as defined by IEC 60601-1-2</i> | | |
| Materials in contact with patient | Washbasin Frame Mixer tap | Synthetic/marble composite Welded steel tube St. 37, aluminum Chrome | |
| Accessories | 40-14777 40-14776 | Hand control Plumbing kit | |

3.2 Intended use

The StandardLine washbasin is especially suitable for private homes and institutions. The height is adjusted electrically. There are three types of washbasins to choose from so you can be sure to get the model that fits the users best. These include a standard wash basin, one that provides support through integrated handles, or one that's larger in size, intended for hospital use.

3.3 Intended operator

Reading and understanding this manual will be sufficient training for an intended operator. Children under the age of 16 or patient are not considered intended operator.

3.4 Essential performance

The product does not have essential performance, as the patient and user do not experience any risk in case of loss of product function/performance.

3.5 Non-clinical functions

Height adjusting offers better ergonomics to the user.

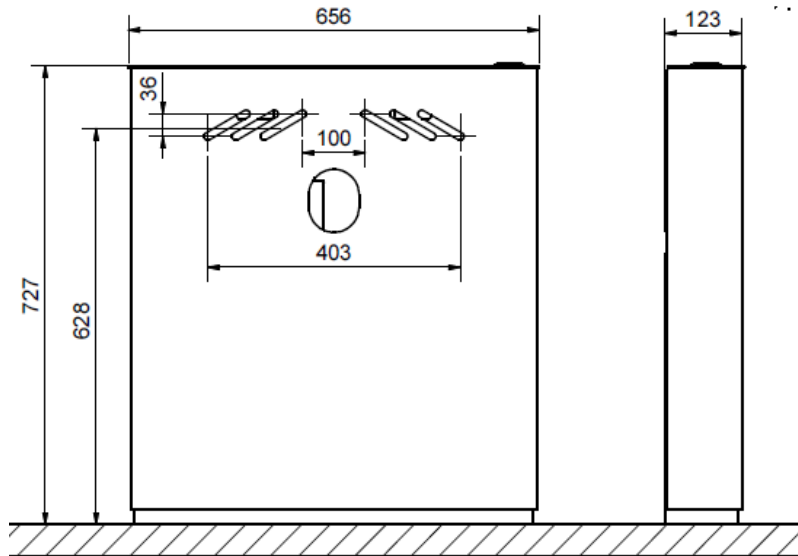
3.6 Clinical functions

The product does not have any clinical functions.

3.7 Product dimensions

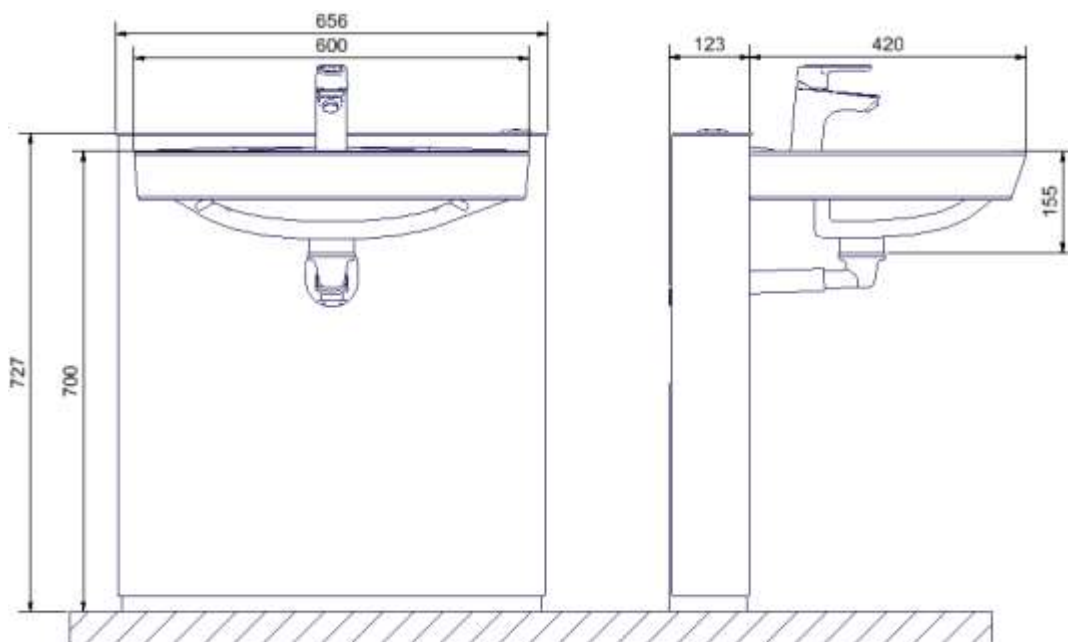
40-14770

(30cm range)

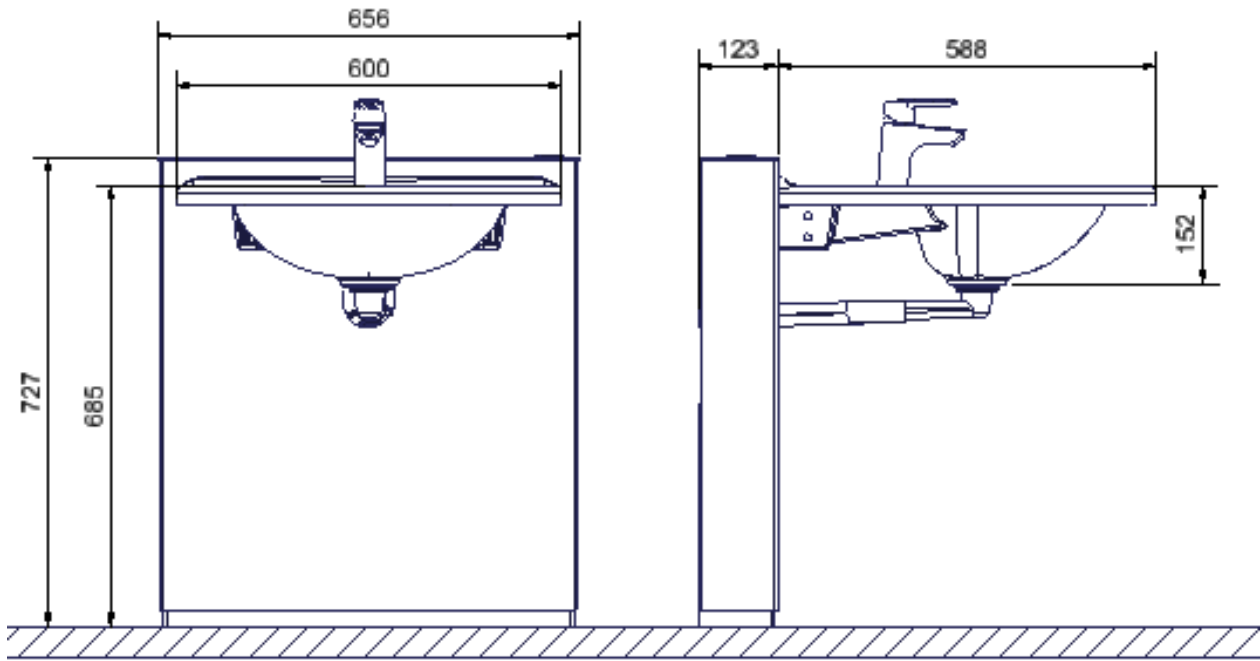


40-14771

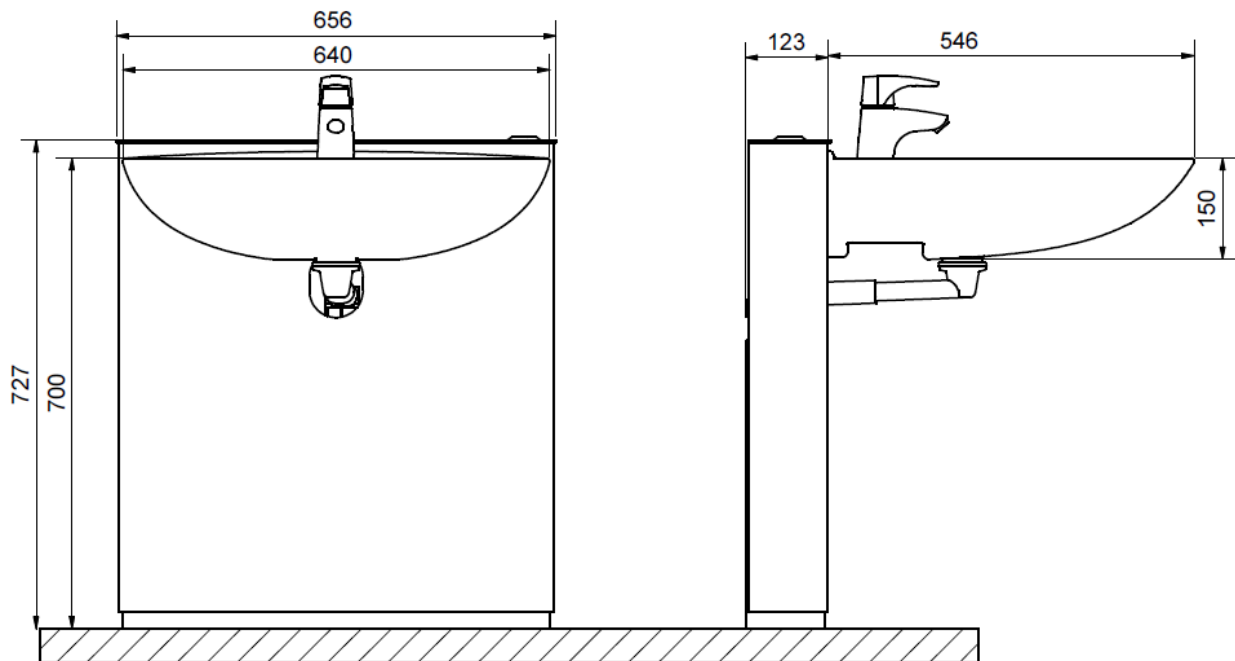
(Height adjustment 700-1000mm)



40-14772
(Height adjustment 685-985mm)



40-14773
(Height adjustment 700-1000mm)



NB! All dimensions are in mm

3.8 Operation

Standard control

The washbasin height is adjusted by means of the fixed Ropox control button mounted in the top of the lifting unit.

The washbasin is raised/lowered by pressing the up/down symbol on the control.

The washbasin stops moving as soon as the button is released.



Ropox hand control with cable (accessories)

As an alternative, you can use a hand control with cable. The washbasin is operated in the same way. As soon as the button is released, the washbasin will stop moving.



Warning!

The product should always be able to travel the full range of actuation without colliding with objects. Failing to do so will compromise the product stability and introduce risk of squeezing body parts.

Special care should be taken in ensuring that no children or adults are sited under the product as severe injury from entrapment may occur.

4. Mounting instruction

4.1 Installation interfaces

Construction

The wall must be made of a material suited for screw mounting and approved for damp rooms. The hatched area is the minimum area for reinforcement of the wall.

Tested in accordance DS/ISO 17966:2016 with the following max. user weights:

40-14772: 200kg (440 lbs)

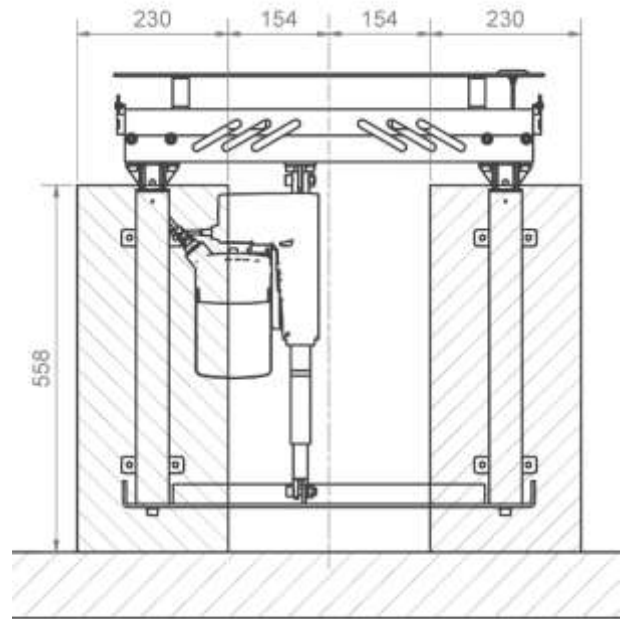
40-14773: 200kg (440 lbs)

40-14770: 200kg (440 lbs) (with porcelain wash basin)

Max. tensile load of upper screws

50kg/screw (110 lbs)

The washbasin is supplied with a set of screws and rawplugs suitable for mounting on a concrete wall. The fitter should always consider the material, condition and strength of the wall and use screws and rawplugs suitable for the specific wall type.



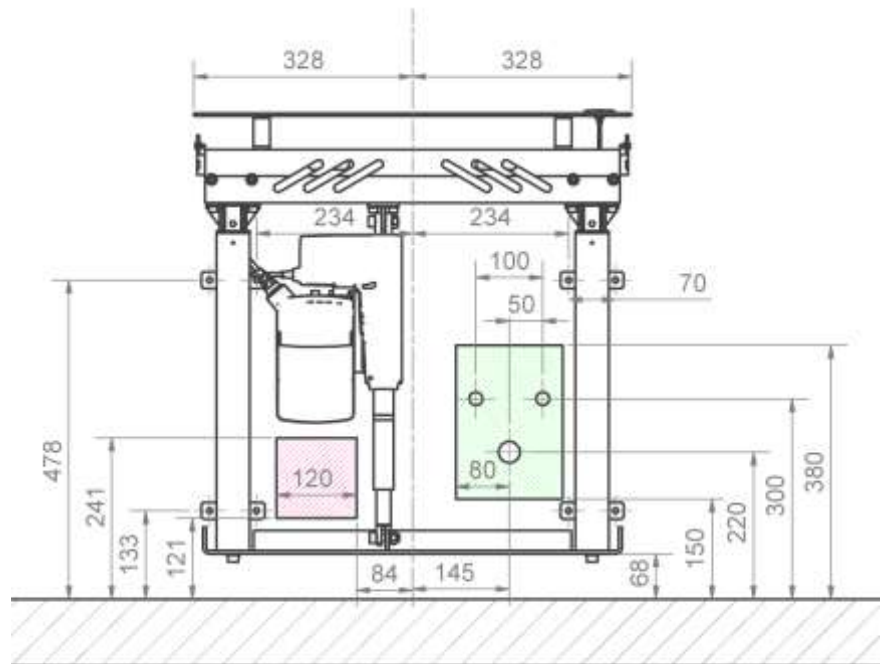
Plumbing

The drain is Ø32 (1 ¼") and ends in an Ø32x88.5° drain elbow.

The water supply ends in 2 (two) 90° shut-off valves with ½" outside thread pointing upwards (not included). The maximum protrusion of the shut-off valves and drain connection should be max 90mm (3 ½") to allow for the covers.

The optimum location and orientation is as shown in green.

It is important that all hoses for water connection and drain are flexible to allow the frame to move freely within the height-adjustment range of 700-1000mm (27 1/2" – 39 2/5") (including washbasin).



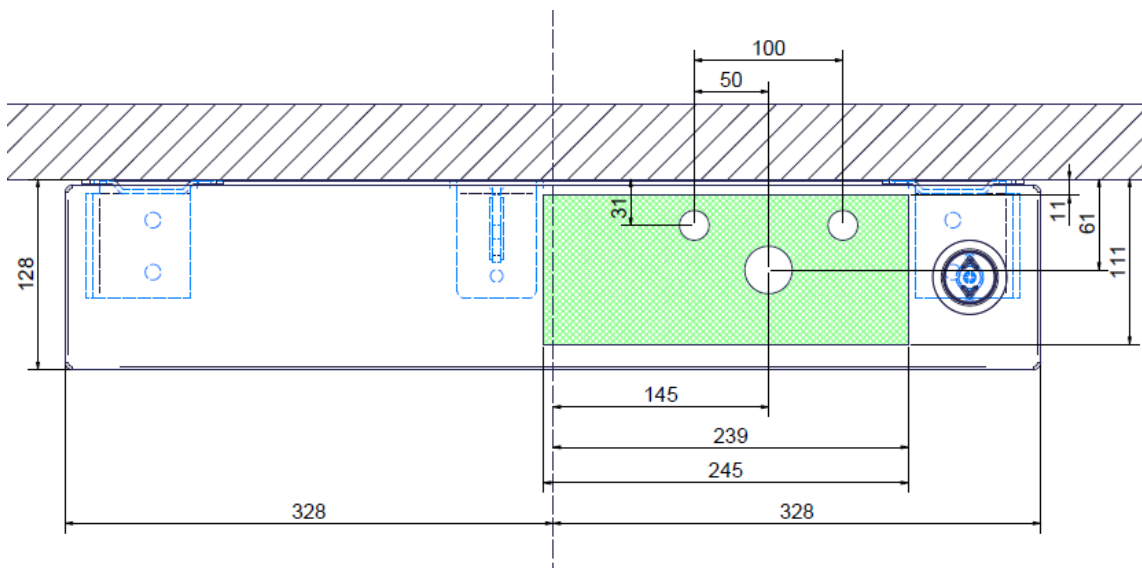
For purchase of adapters for connection to various standard installations, see "Connection Adapters – Other Washbasins".

Power

Recommended location of socket in wall for optimum and hidden wiring is shown in red. If a different location is required, the cable from the control unit is 3200mm (126").

Water and drain placed in floor

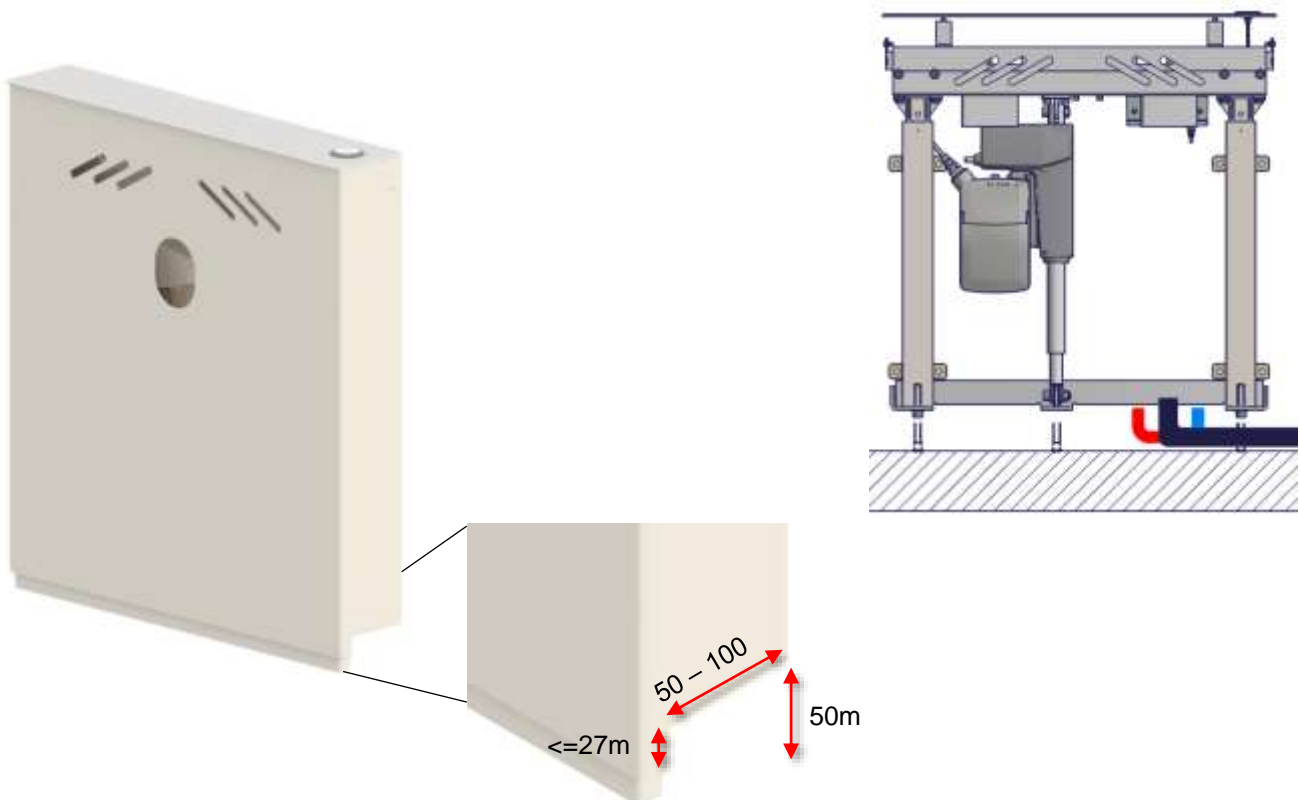
If it is not possible to have the water supply and drain be placed in the wall, it is recommended to place it within the hatched green area in the floor. The drain is $\text{Ø}32$.



Water and drain placed outside the lifting unit

If the water supply and the drain is placed outside the lifting unit, it is recommended to make a cut-out in the inner and outer covers, to allow water and drain to be brought inside the frame. If the height is adjusted correctly in relation to the adjustment screws, see page 17, the height of the cut-out in the outer cover mustn't be greater than 27mm. The total height of the cut-out should not exceed 50mm.







The piping outside the lifting unit must be fixed, and should be brought inside the frame, as shown. Now, connect the flexible pipes and hoses to the fixed piping. The fixed piping can be brought inside the frame from both sides, but it is recommended to complete the installation in the right side.



4.2 Connection adapters

The components illustrated below are available depending on the type of installation in the building.







Water connection adapters

| Hoses from washbasin | Adapter | Installation in room (not included) |
|---|--|--|
|  1/2" | No adapter needed |  1/2" Thread |
| |  1/2" -> 3/8" Item no. 97001670 |  3/8" Thread |
| |  1/2" -> 15mm Item no. 97001666 |  15mm Pipe |





Water hose extensions

| Hose from washbasin | Coupling piece | Extra hose |
|--|--|---|
|  |  1/2" -> 1/2" Item no. 97001662 |  1/2" x 1/2", 0.5m, steel Item no. 97001123 |
| | |  1/2" x 1/2", 1m, plastic Item no. 97001120 |

Drain adapters

| Drain from washbasin | Adapter | Installation in room (not included) |
|--|--|--|
|  Ø32 | No adapter needed |  Ø32 |
| |  Ø32 -> Ø40 Item no. 97001660 |  Ø40 |
| |  Ø32 -> Ø50 Item no. 97001661 |  Ø50 |









Drain extensions

| Drain hose from washbasin | Coupler | Extra drain hose |
|--|---|---|
|  Ø32 |  Ø32-Ø32 Item no. 97001662 |  Ø32 Flex hose, 32-75cm Item no. 97001172 |
| | |  Ø32 Flex hose, 40-110cm Item no. 97001161 |

4.3 List of components

StandardLine lifting unit with washbasin

| | | | |
|--------------|---|----|---|
| 40*14770-036 | Actuator bracket | 1x |  |
| 30-67636 | Flexi legs without spindle <i>Incl.</i> 30*65550-013 96000167 | 2x |  |
| 40*14770-017 | Alu profile 622mm | 1x |  |
| 40*14770-028 | Bracket for washbasin | 1x |  |
| 40*14770-026 | Alu top plate | 1x |  |
| 40*14770-024 | Outside cover | 1x |  |
| 40*14770-025 | Inside cover | 1x |  |

| | | | |
|---------------------|--|-----------|---|
| 97000488 | Actuator | 1x |  |
| 97001691 | CA30 controlbox | 1x |  |
| 97000427 | Network cable for controlbox | 1x |  |
| 97001713 | Bracket for controlbox | 1x |  |
| 97000476 | Retaining ring | 1x |  |
| 40*14770-044 | Mounting parts for control | 1x | |
| <i>Incl.</i> | | | |
| 95091437 | Taptime screw M3x10 | 2x | |
| 97001800 | Control | 1x | |
| 40*43043-133 | Control cover | 1x | |
| 96000165 | Strips black 3,5/140mm | 2x | |
| 40*14770-041 | Mounting parts electrical | 1x | |
| <i>Incl.</i> | | | |
| 95011035 | INSEX screw M10x35 | 2x | |
| 95180510 | Lock nut M10 | 2x | |
| 96000170 | Strips black 4,8/290mm | 2x | |
| 40*14770-043 | Mounting parts frame | 1x | |
| <i>Incl.</i> | | | |
| 40*14770-022 | Top bracket | 1x | |
| 30*65500-003 | Flat steel nut actuator mounting | 2x | |
| 30*65550-005 | Flat steel nut leg section | 2x | |
| 95010814 | INSEX screw M8x14 | 6x | |
| 95170508 | Chamfered washer M8 | 6x | |
| 95011025 | INSEX screw M10x25 | 4x | |
| 95170510 | Chamfered washer M10 | 4x | |
| 96000810 | Sleeve for hole Ø9 | 2x | |
| 40*14708-099 | Mounting parts washbasin | 1x | |
| <i>Incl.</i> | | | |
| 95041250 | Bolt M12x70 | 2x | |
| 95170512 | Chamfered washer M12 | 4x | |
| 96000170 | Strips black 4,8/290mm | 2x | |
| 97001467 | Mounting parts for bolt mounted wash basin | 1x | |
| 30*65550-013 | Adjustment screw | 1x |  |
| 96000167 | Ferrule | 1x |  |
| 97001706 | Oras Saga 3910F | 1x |  |

| | | | |
|--|--|----|--|
| 40-14776 | Plumbing kit for StandardLine | 1x |  |
| <i>Incl.</i> | | | |
| 97001601 | Prevex siphon | 1x | |
| 97001120 | Connection hose - 1/2"x 1/2" 1m | 2x | |
| 97001161 | Flex drain Ø32/32 pipe | 1x | |
| 97001035 | 32x88,5° white PP Wafix elbow HT | 2x | |
| 97001012 | Nipple 1/2" to 3/8" | 2x | |
| 96000170 | Strips black 4,8/290mm | 2x | |
| 97001605 | Prevex 100mm extension | 1x | |
| 95091070 | Plate screw Ø4,8x70 cross recess A2 | 1x | |
| 30*65500-008 | Plate nut M6 | 2x | |
| 95010612 | INSEX screw M6x12 | 2x | |
| 40*14852-104 | Bracket for siphon | 1x | |
| 40-15621 (For 40-14771) | Standard Washbasin | 1x |  |
| <i>Incl.</i> Insolation foam pad | | 1x | |
| 97001582 (For 40-14772) | 60cm Straight Support Washbasin | 1x |  |
| 40-15622 (For 40-14773) | Hospital Washbasin | 1x |  |
| <i>Incl.</i> Insolation foam pad | | 1x | |

4.4 Installation of product

Prior to assembly check that all parts have been provided according to the list of components. See list of components.



Caution!

Mounting must always be carried out by qualified personnel



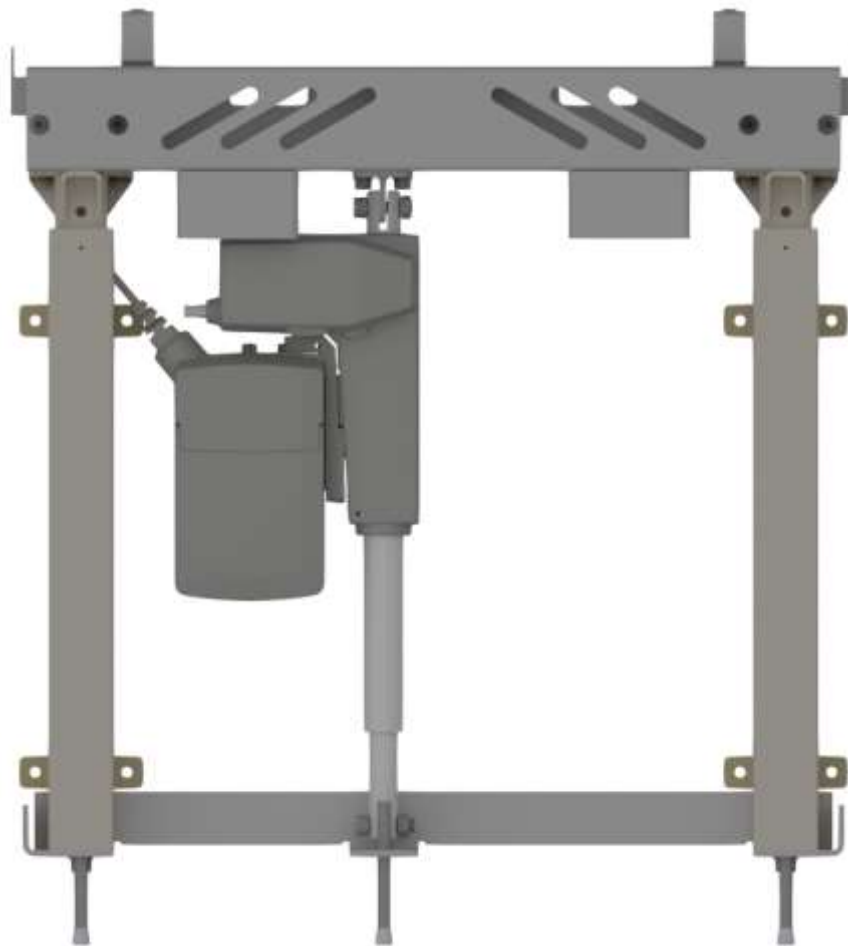
Warning!

Before use always make sure that mains cable and hand control cable will be able to travel freely without the risk of squeezing or disconnecting the product as result of the movement.



Caution!

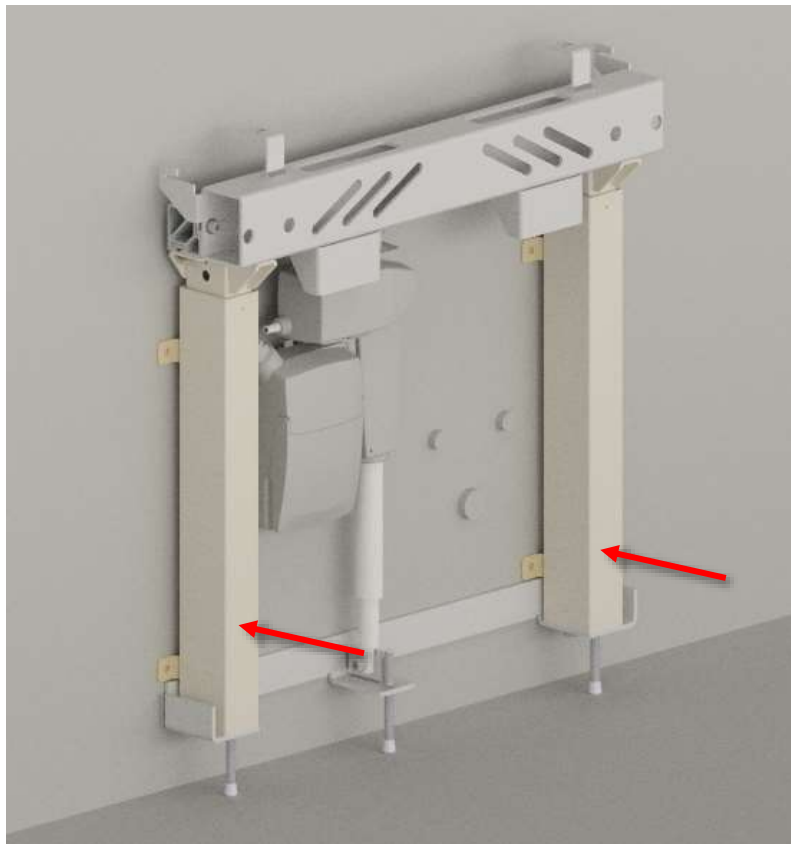
When connected to the mains the product must be placed in a manner according to power outlets so that the operator will be able to disconnect the product during use in case of an emergency.



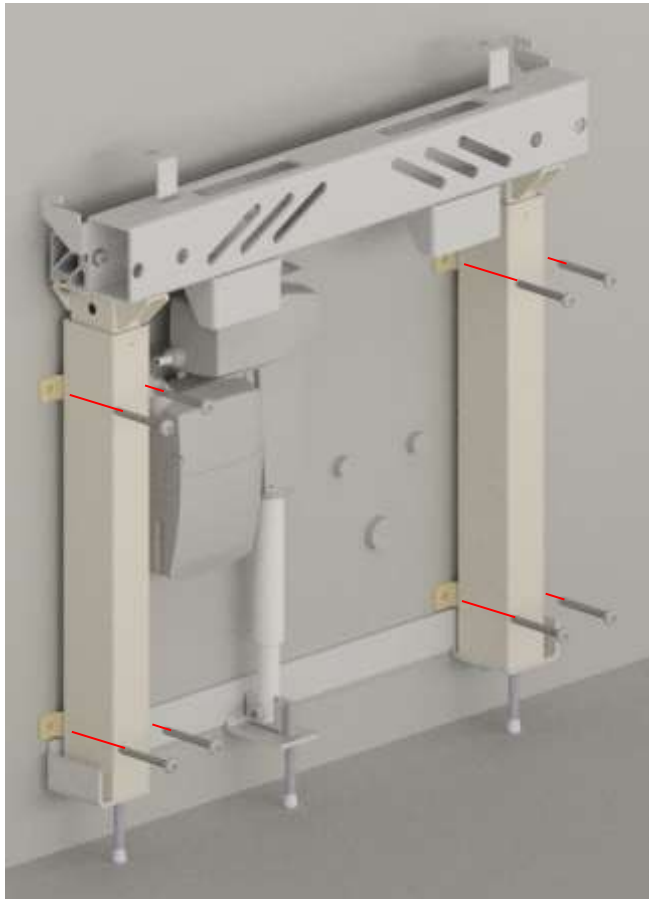
StandardLine comes partly pre-assembled.



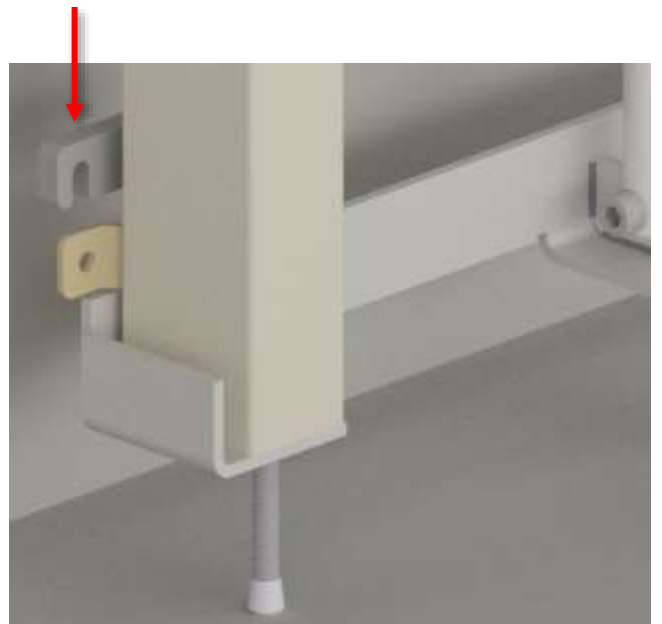
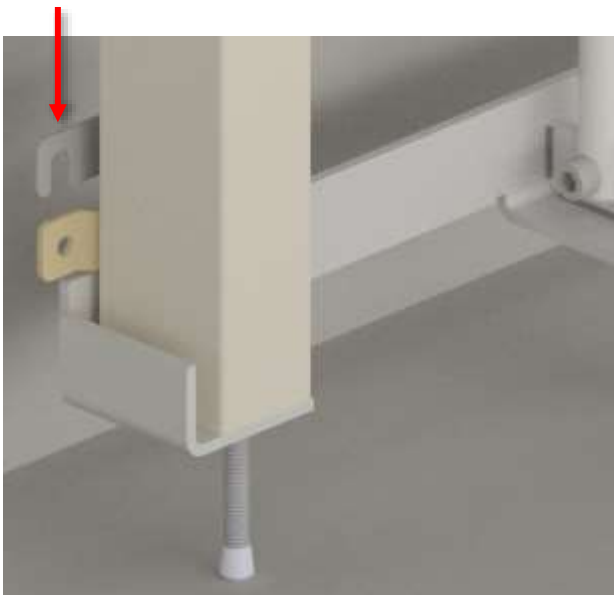
Unscrew the adjustment screws **68mm** below the bracket.



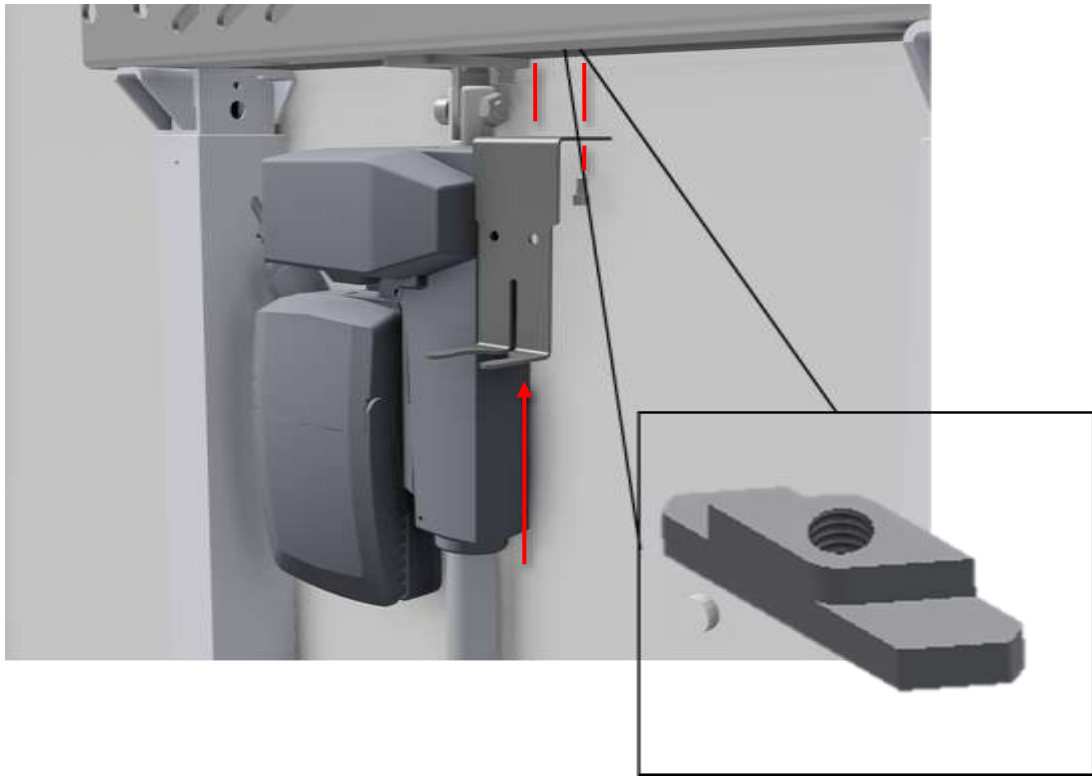
Place the lifting unit on the wall and mark holes for screws. Drill holes and use the enclosed **rawlplugs**.



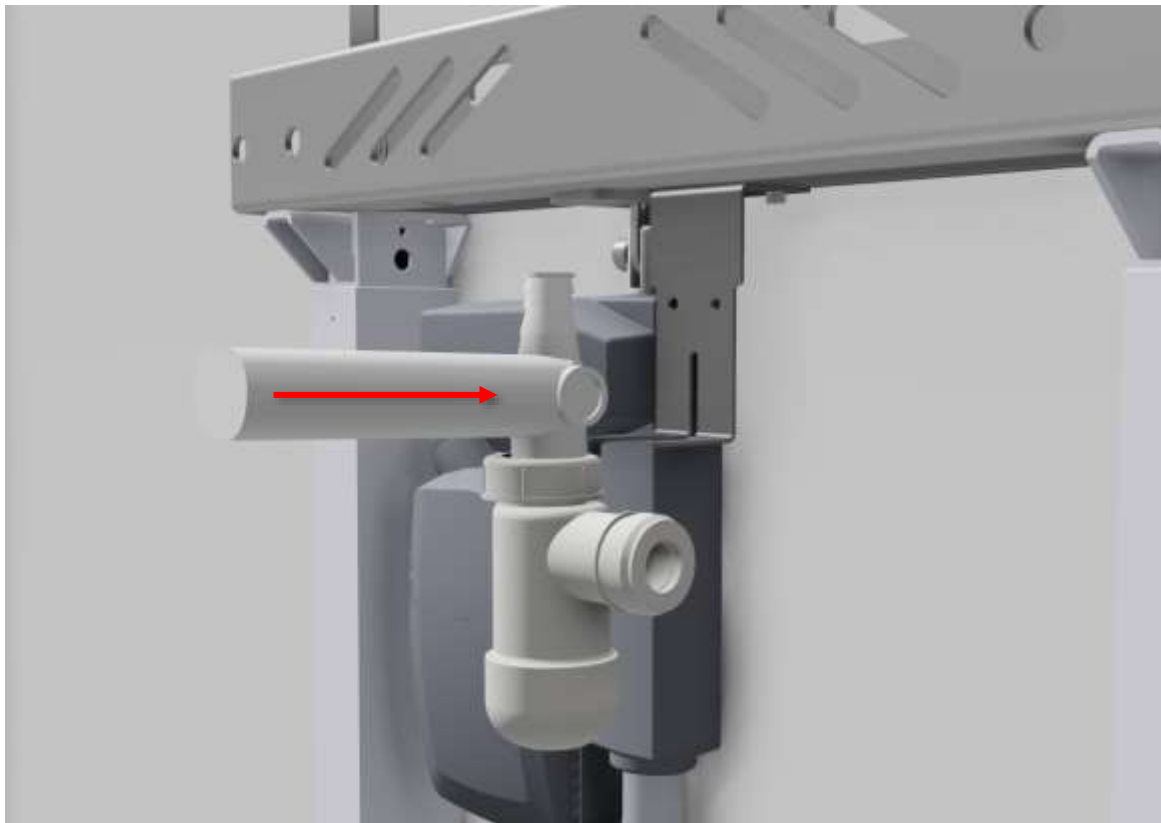
Fix the unit to the wall.



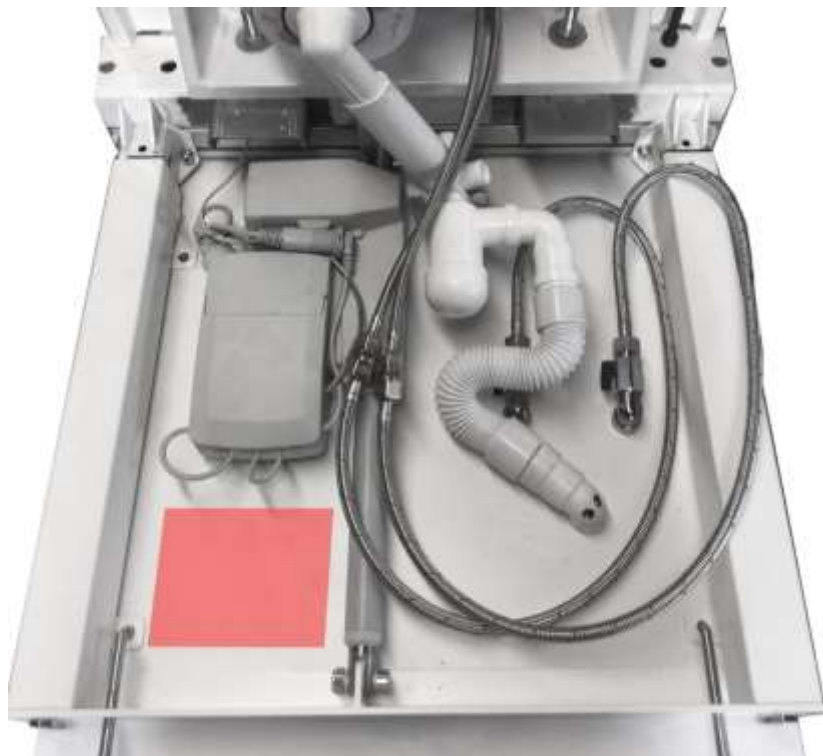
If the wall is uneven, or the unit needs be moved from the wall due to skirting boards, use the spacers.



Place **2x M6 nuts** into the profile and fix the bracket for the siphon with **2x M6x12**.



Push the siphon into the bracket and fasten the connecting pipe with strips through the two holes.

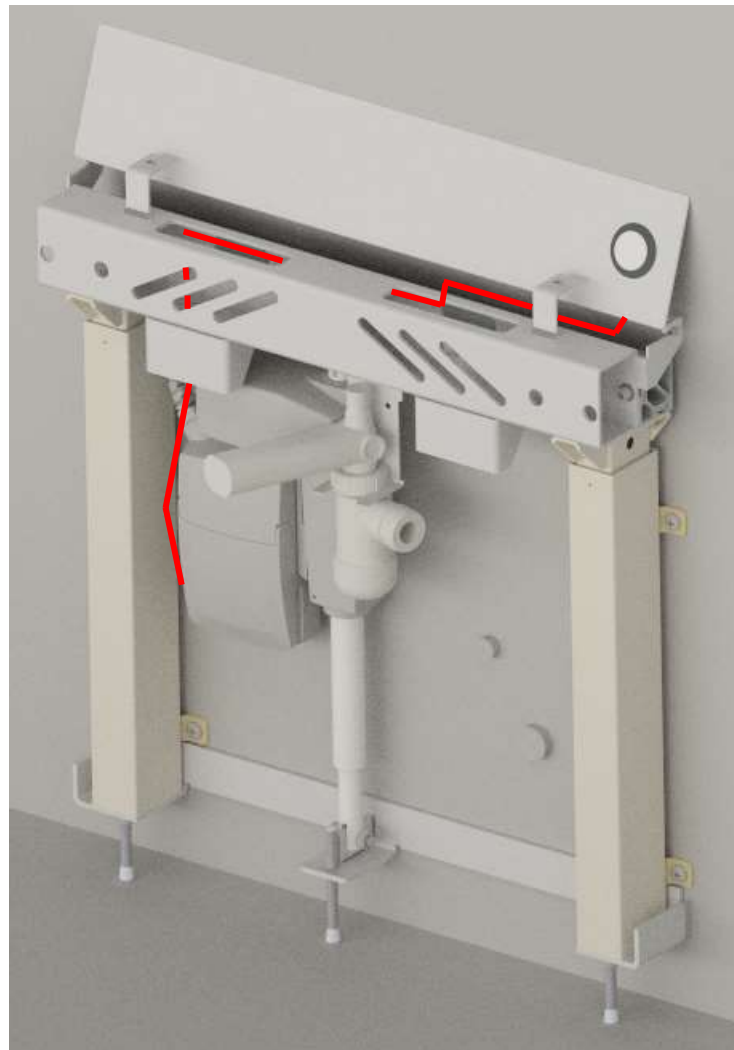


Assemble drain hoses, water, and power as shown on the picture.

Alternatively, the water and drain are mounted in the floor.

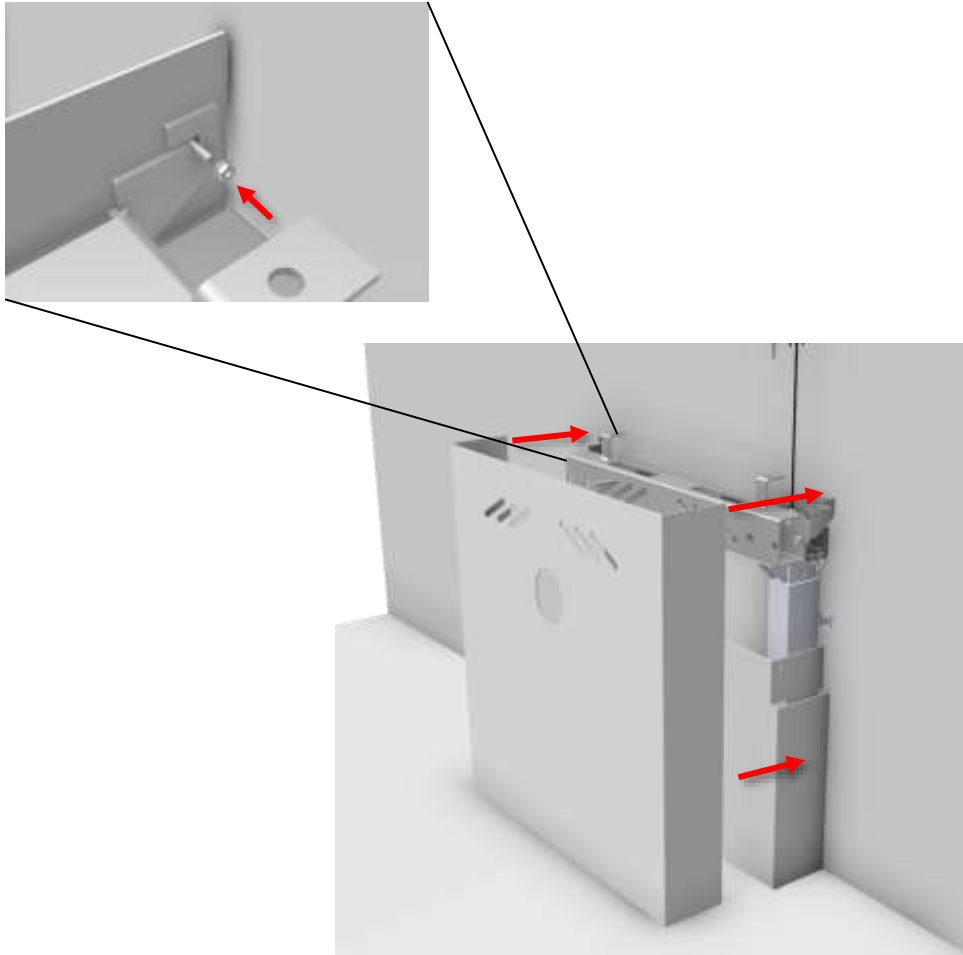


Remove the protective foil, and glue in the control on the top plate.



Plug the cable into the control box running through the frame as shown on the picture.

Perform a functionality test of the electrical system



Push the inner cover in, so that it stands on the floor.
Push the outer cover in place so that it hangs onto the two rods.
Fix the outer cover onto the two rods with **M4 lock nuts** and **washers**.

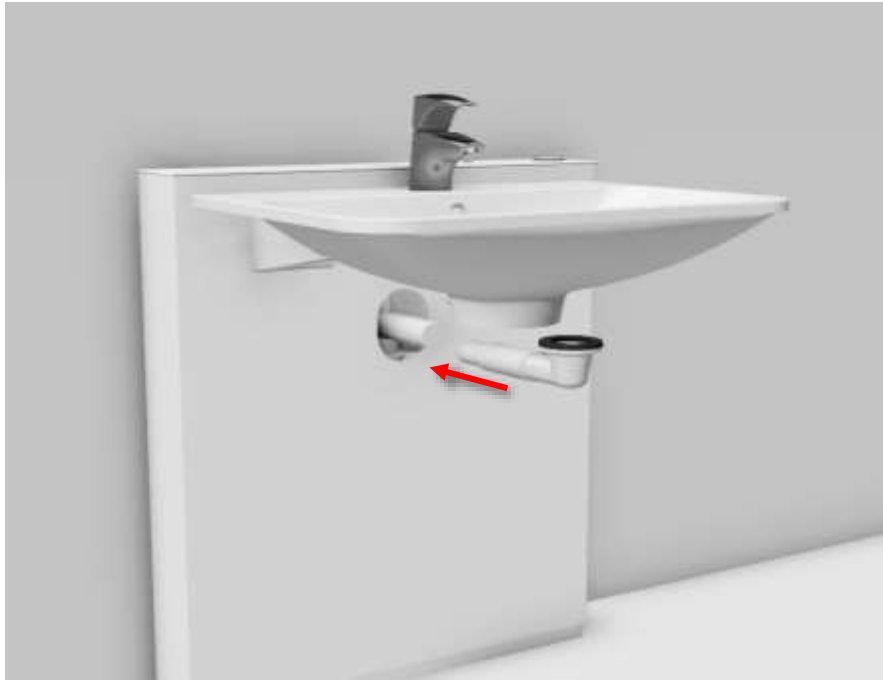


Fix the wash basin to the unit with the accompanying bolts and fix the top plate to the unit.

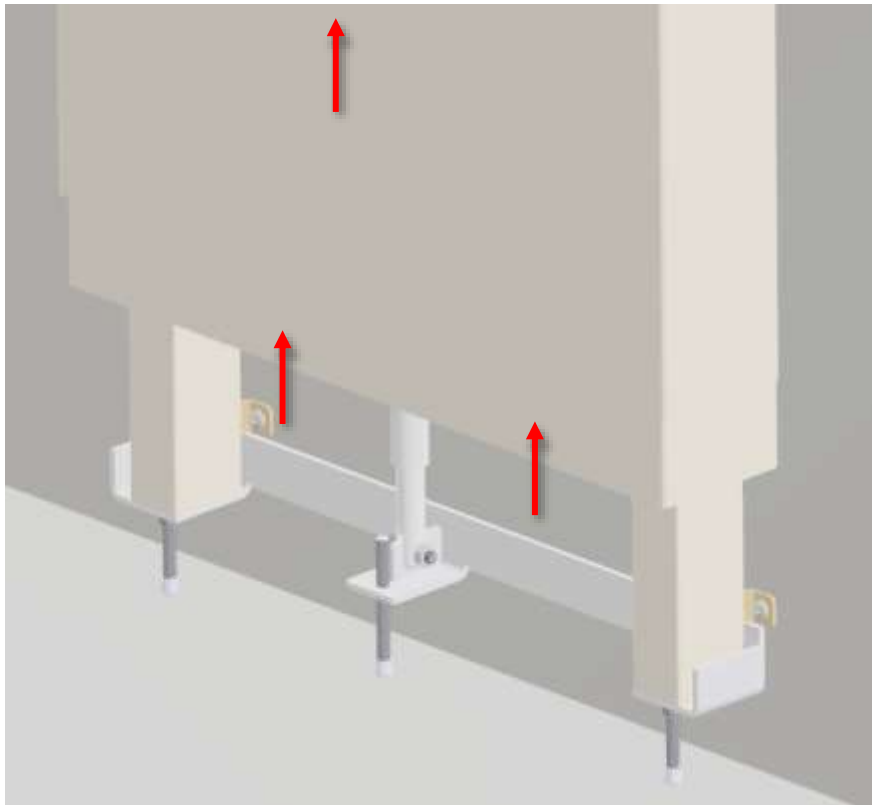


Caution!

When mounting a porcelain washbasin, an insulation foam pad **MUST** be placed between the washbasin and the unit. It is recommended to grout around the washbasin.



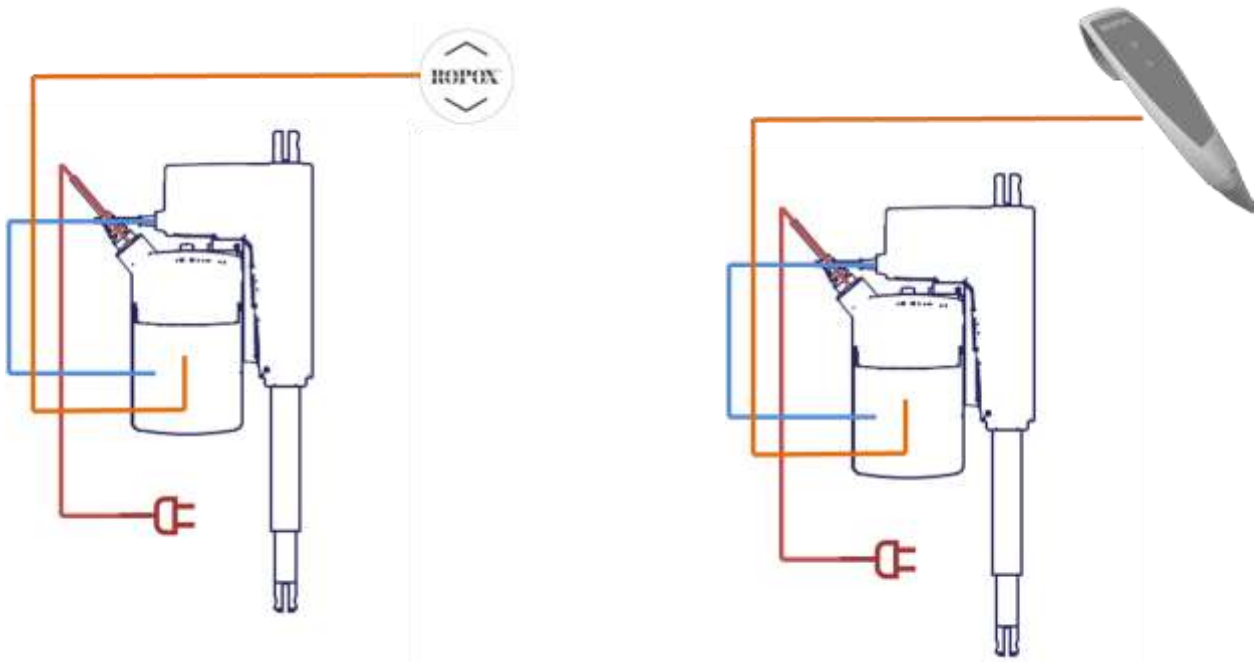
Mount the rest of the drain and connect the water to the tap.



Move the unit to upper position and lift the inside cap to turn on the water.
Now pull the inside cap back down to the floor to finish the installation.

4.5 Cable diagram

The round control pad is a standard accessory that comes with the StandardLine. Upon request, it's possible to get the StandardLine with a handcontrol with a flexible cord, as well. This handcontrol allows easier control of the unit, especially from range.



Cable diagram with both controls



5. Functionality testing

After completing the installation and before use, all functions of the StandardLine washbasin must be assessed. Subsequently, a functionality test must be conducted at least once a year by qualified personnel:

1. Check that the mounting instructions have been observed.
2. Check that all screws and bolts are fixed.
3. Check that all cables have been correctly connected, and that the plugs are pushed in properly.
4. Check that there is no load on the frame.
5. Check that there are no objects preventing the frame from moving freely within the height adjustment range.
6. Press both switches on the control and hold the pressure as long as a loud beeping sound is heard. When this sound stops, the frame can be moved to bottom position and is thus reset.
7. Press the DOWN button, move the frame to bottom position and check that the movement is even and smooth. Make sure that the hose connections follow the movements of the frame, and that they do not get squeezed.
8. Now press the UP button, move the frame to top position and check that the movement is even and smooth. Make sure that the hose connections follow the movements of the frame, and that they do not get squeezed.

If the above points are checked, the washbasin is ready to use. See the section "**Safety in use**".

6. Safety in use

- The StandardLine washbasin may only be used by persons who have read and understood these instructions.
- The StandardLine washbasin is a height adjustable washbasin and may not be used as a lifting table or as a person lifter.
- Always use the washbasin in a manner excluding the risk of damage to people or property. The person operating the StandardLine washbasin is responsible for avoiding damage or injury.
- If the washbasin is used in publicly accessible locations, where especially children or other persons with reduced observation capability may get near the StandardLine washbasin, the person operating the washbasin must pay sufficient attention in order to prevent dangerous situations.
- Make sure that there is free space above and below the washbasin to allow free height adjustment.
- Be aware of water splashing from the washbasin during use, or actuation of the height adjustment. A wet floor will result in a slipping hazard.
- Always check the water temperature before use. Too warm water may lead to scalding.
- If a handcontrol with flexible cord has been installed, be aware of the cord not getting caught on anything. This could lead to a tripping hazard.
- Do not overload the washbasin and make sure that the load distribution is correct.
- Do not operate the washbasin in case of errors or damage.
- Do not use the washbasin in an explosive environment.
- Any modification to the StandardLine washbasin, which may influence its operation and construction, is forbidden.
- Installation, service, and repairs may only be conducted by qualified personnel.
- Prior to use, ensure that the StandardLine washbasin has been mounted on a suitably strong wall and that there are no loose connections.
- In case of inspections, service, or repairs, make sure that the washbasin is not loaded.
- If the StandardLine washbasin has not been installed in accordance with these mounting instructions, the warranty may be void.
- Only use original Ropox spare parts as replacements parts. If other parts are used, the warranty may be void.

7. Cleaning

During use, the product may get dirty. It is important that the washbasin and the lifting unit are cleaned in accordance with these instructions.


Ropox StandardLine may be wiped with a wrung cloth with lukewarm water and a mild detergent. Do not use corrosive/grinding fluids or scouring sponges and brushes.

Cleaning of washbasin

Wash the surfaces daily with water and wipe with a dry cloth. Do not use cleaning agents containing hard abrasives – such as steel wool, scouring powder, or sulfuric acid.

If the water has a high calcium content, calcareous deposits will often occur in the washbasin. These deposits should be removed at least once a week by using a detergent containing citric acid, acetic acid, or phosphoric acid. Leave the detergent to work for 5-10 minutes depending on the thickness of the deposits and clean thoroughly with a soft sponge.

Disinfection of the washbasin may be done with household disinfectants.

| | |
|---|---|
|  | <p>Notification!</p> <p>Do not use cleaning agents containing abrasive e.g. scouring powder, steel wool, scouring sponge.</p> <p>This product is not designed to be sterilized, autoclaving and sterilization beyond normal cleaning may change the product safety and function.</p> |
|---|---|

8. Troubleshooting

| Problem | Solution |
|--|---|
| The washbasin does not move up or down when pressing the hand control | Check if: <ul style="list-style-type: none"> ➤ 230 V is connected, and if the power is on. ➤ The engine is connected to the control box. ➤ The control is connected to the control box. ➤ The actuator is overloaded. (NOTE: For every 2 minutes of activity, it needs 18 minutes of rest). |
| Hand control is defect | Check if: <ul style="list-style-type: none"> ➤ The washbasin is height adjustable by means of another control. |
| When pressing the UP and DOWN buttons, only “click” sounds come out of the control box – no movement | <ul style="list-style-type: none"> ➤ The plug may not be mounted correctly. ➤ Demount all cables from the control box, and mount again. ➤ A “Reset” might be needed. See the instructions below. |
| The frame seems loose or unstable | <ul style="list-style-type: none"> ➤ Tighten all screws of the frame, cf. mounting instructions. |
| The washbasin cannot be height adjusted or the adjustment feels very difficult | <ul style="list-style-type: none"> ➤ Check that there are no jammed objects preventing the height adjustment. |
| It takes too long for the water to leave the washbasin | <ul style="list-style-type: none"> ➤ Check the siphon for clogging and clean it, if required. ➤ Check that the flexible hose has not been mounted so high on the wall that it acts as an additional siphon. ➤ Check that the connection hoses are not kinked or twisted on the hose. Adjust the hoses so that they are not kinked/twisted. |

9. Maintenance

The frame is maintenance-free. Moving parts have been lubricated for life. For reasons of safety and reliability, we recommend inspection of the frame once a year:

At inspections, the following must be checked:

- Check that all bolts and screws have been tightened securely.
- Check that the frame can move freely and unhindered from bottom to top position without problems.
- **Resetting the StandardLine washbasin:** Press and hold down both buttons on the control. Keep the buttons depressed until the beep tone stops beeping. Then move the frame to bottom position for resetting. Check that the movement is even and smooth. Make sure that the network cable is able to move freely.
- Check that any water connection hoses and drain hoses are tight and functional.
- Check that all cables are mounted correctly and are in order and undamaged.

After each the inspection, the service schedule must be completed. See "Service schedule".



Note!

Failing to comply with periodic maintenance may result of degrading of product function and safety.



Note!

Ropox will make parts list and circuit diagrams available for maintenance and repair beyond what is described in this manual. Repair beyond what is described in this manual may only be done by Ropox designated service personnel.
Only use original Ropox spare parts as replacement parts. If other parts are used, the warranty may be void.

9.1 Service schedule

| | |
|--|-------------------|
| Service and maintenance | Serial no. |
| Date: _____ | |
| Signature: _____ | |
| Remarks: _____ _____ _____ | |

| | |
|--|-------------------|
| Service and maintenance | Serial no. |
| Date: _____ | |
| Signature: _____ | |
| Remarks: _____ _____ _____ | |

| | |
|--|-------------------|
| Service and maintenance | Serial no. |
| Date: _____ | |
| Signature: _____ | |
| Remarks: _____ _____ _____ | |

| | |
|--|-------------------|
| Service and maintenance | Serial no. |
| Date: _____ | |
| Signature: _____ | |
| Remarks: _____ _____ _____ | |

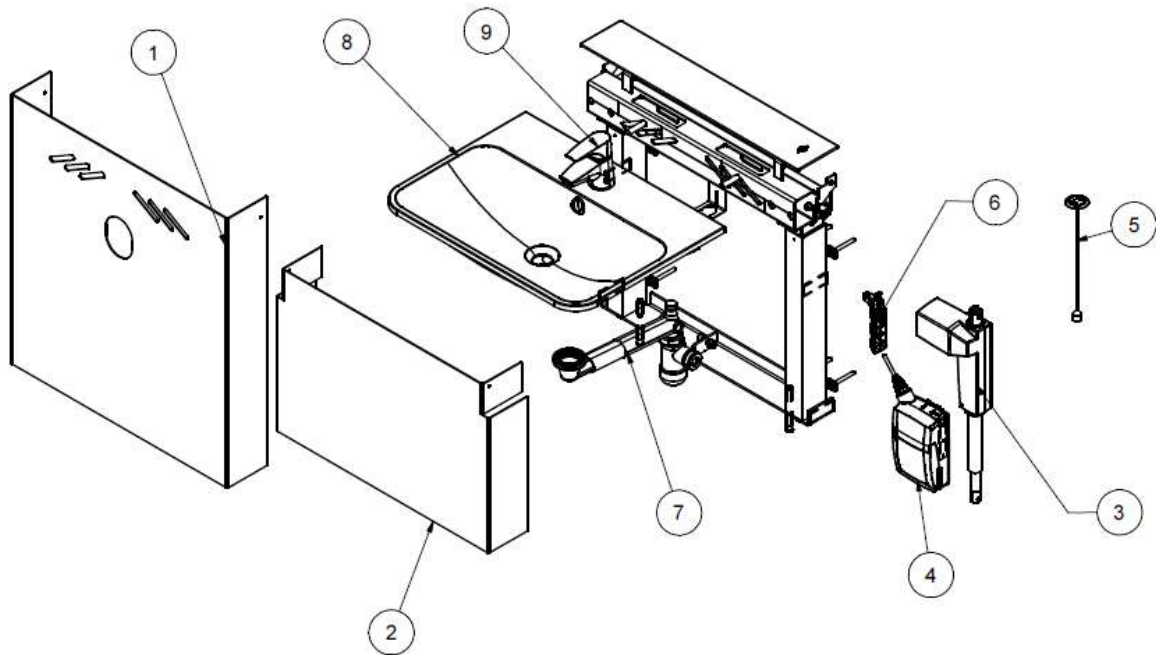
| | |
|--|-------------------|
| Service and maintenance | Serial no. |
| Date: _____ | |
| Signature: _____ | |
| Remarks: _____ _____ _____ | |

| | |
|--|-------------------|
| Service and maintenance | Serial no. |
| Date: _____ | |
| Signature: _____ | |
| Remarks: _____ _____ _____ | |

| | |
|--|-------------------|
| Service and maintenance | Serial no. |
| Date: _____ | |
| Signature: _____ | |
| Remarks: _____ _____ _____ | |

| | |
|--|-------------------|
| Service and maintenance | Serial no. |
| Date: _____ | |
| Signature: _____ | |
| Remarks: _____ _____ _____ | |

10. Spare parts



| Position | Description | Number in product | Item no. |
|----------|---|-------------------|--------------------------------------|
| 1 | Outer cover | 1 | 40*14770-024 |
| 2 | Inner cover | 1 | 40*14770-025 |
| 3 | Motor LA31.6 | 1 | 97000488 |
| 4 | Control box CA30 | 1 | 97001691 |
| 5 | Control | 1 | 97001700 |
| 6 | Bracket for LA31/CA30 | 1 | 97001713 |
| 7 | Plumbing kit for StandardLine unit | 1 | 40-14776-1 |
| 8 | Standard washbasin 60x42cm/ 60cm Straight Support/ Hospital washbasin | 1 1 1 | 40-15621-2 97001582 40-15622-1 |
| 9 | Oras Saga 3910F | 1 | 97001706 |

11. Environmental protection

The product is not intended to be disposed as municipal waste. Proper disassembly, sorting and disposal of components must be done by waste disposal professionals.




| Part | Disposal recommendation |
|-------------|-------------------------|
| Wash basin | Ceramic |
| Main unit | Steel |
| Mixer tap | Steel |
| Actuator | Electronic |
| Control box | Electronic |

12. Electromagnetic compatibility

12.1 Suitable Environments


The device is suitable for use at home, at daycare centers, at day centers for persons with physical or mental disabilities or at hospitals except near active HF surgical equipment and the RF shielded room of a medical electrical system for magnetic resonance imaging, where the intensity of electromagnetic disturbances is high.

12.2 Adjacent and stacked use


| | |
|---|---|
|  | Warning! Use of this equipment adjacent to or stacked with other equipment should be voided because it could result in improper operation. If such use is necessary, this equipment and the other equipment should be observed to verify that they are operating normally |
|---|---|

12.3 Cables

| Cable component | Length |
|---------------------------|----------------------|
| Power cable | 3,2m |
| Hand control spiral cable | Approx. 5m extended. |

| | |
|--|---|
|  | Warning! Use of accessories, transducers, and cables other than those specified or provided by the manufacturer of this could result in increased electromagnetic emissions or decreased electromagnetic immunity of this equipment and result in improper operation. |
|--|---|

12.4 RF portable equipment

| | |
|---|---|
|  | Warning! Portable RF communications equipment (including peripherals such as antenna cables and external antennas) should be used no closer than 30 cm (12 inches) to any part of the device, including cables specified by the manufacturer. Otherwise, degradation of the performance of this equipment could result. |
|---|---|

13. Complaints

Please see general terms of sale and delivery on www.ropox.com



ROPOX A/S

Ringstedgade 221
DK – 4700 Næstved

Tel.: +45 55 75 05 00 Fax.: +45 55 75 05 50

E-mail: info@ropox.dk

www.ropox.com