

Ropox FlexiPlus Corner




User manual

This folder should always be in close proximity to the product


Table of Contents

1. Symbols used in this manual	3
2. General safety	3
2.1 Product Unit label	5
3. General requirements	6
3.1 Product information.....	6
3.2 Product description	6
3.3 Intended use	6
3.4 Intended population	6
3.5 Intended operator	6
3.6 Basic safety.....	6
3.7 Non-clinical functions.....	6
3.8 Product dimensions	7
3.9 Complaints and adverse events	7
4. Instructions for use	8
4.1 Installation of product.....	8
4.2 Installation of bordplade.....	16
4.3 Installation of Bluetooth adapter	18
4.4 Electrical component diagram	19
4.5 Ropox Connect App.....	19
4.6 Operating the product	19
5. Accessories	20
5.1 Installation of accessories.....	20
6. Troubleshooting	26
7. Cleaning	26
8. Maintenance	26
8.1 Periodic maintenance	26
8.2 Calibration of actuator.....	26
9. Component part list	27
10. Spare parts list	29
11. Environmental protection	30
12. Electromagnetic compatibility	30
12.1 Suitable Environments.....	30
12.2 Adjacent and stacked use.....	30
12.3 Cables.....	30
12.4 RF portable equipment	31
12.5 Compliance for emission and immunity standard.....	31

1. Symbols used in this manual

Warning Symbol Indication of potentially hazardous situation. If not avoided, it can result in serious injury or death	
Caution Symbol Indication of potentially hazardous situation which may result in minor or moderate injury. It may also be used to alert against unsafe practices	
Notice Symbol This symbol is used to notify correct use and handling of the product	

2. General safety

	<p>This manual must be read and understood before use. Always keep this manual in close proximity of the product.</p> <p>The use, installation and service of this product must follow this manual to avoid accidents and serious personal injury.</p> <p>Never use or handle this product in other ways specified in this manual as it can result in personal safety hazards and/or cause damage to the product.</p> <p>Anyone installing and/or using this product either as operator or user should have the necessary safety information and access to this manual.</p> <p>If the supply cord is damaged, it must be replaced by the manufacturer, its service agent, or similarly qualified designated person to avoid a hazard.</p>
--	---



Do not perform repairs, disassembly, or assembly operations, add-ons, re-adjustments, or modification of the product beyond what is described in this manual. These must be carried out by Ropox or Ropox authorized personnel. Do not perform service while in use.

This appliance can be used by children aged from 8 years and above and people with reduced physical, sensory, or mental capabilities, or lack of experience and knowledge if they have been given supervision, or instruction concerning use of the appliance in a safe way and understand the hazards involved. Children shall not play with the appliance.

Cleaning and user maintenance shall not be made by children without supervision.

Do not use the product if it has defects or has become damaged before being repaired or replaced.

If the control box makes unusual noise, or smells, switch off the mains voltage immediately.

Take care that the cables are not damaged.

Unplug the power cable on mobile equipment before it is moved.

The products must only be used in an environment that corresponds to their IP protection.



The information in this manual is based on correct installation in accordance with installation instructions for this product.

Ropox cannot be held liable if the product is used in any way, that differs from stated in this manual and/or installation instruction.

Ropox reserve the right to amend this manual and reference documents without prior notice.

2.1 Product Unit label

ROPOX

**UK
CA CE**

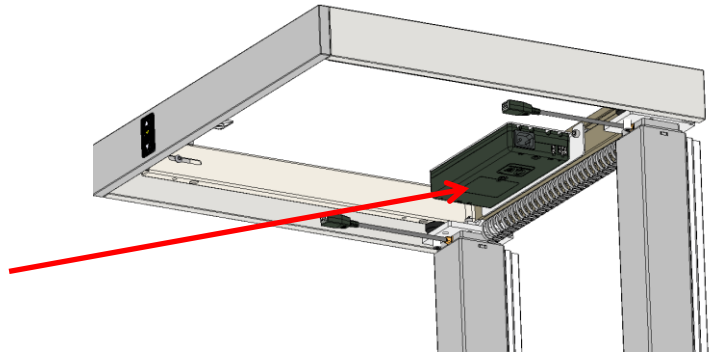
Ropox A/S, Ringstedgade 221, DK-4700 Naestved
Tlf: +45 5575 0500, E-mail: info@ropox.dk, Web: www.ropox.dk











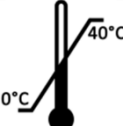
20XX-XX

REF XX-XXXXX-X

SN XXX-XXXX

U In: XXX V ~, XX Hz
I In: Max. X A
IPXX
Max load XXXkg
Mass of product XXkg



	<p>This product is UKCA-marked in accordance with: UK SI 2008 No. 1597 - <i>The Supply of Machinery (Safety) Regulations 2008</i>, and its amendments</p>
	<p>This product is CE-marked in accordance with: Council Directive 2006/42/EC on machinery Council Directive 2011/65/EU, RoHS</p>
	<p>Manufacturer name and address</p>
	<p>Date of production</p>
	<p>Stock number</p>
	<p>Serial number</p>
	<p>Consult manual before use</p>
	<p>Operating interval of electrically operated equipment. The use of electrical height adjustable equipment can run at maximum 1 minute, followed by a 9-minute break.</p>
	<p>Consult manual for important safety related information, warnings, and safety precautions.</p>
	<p>Do not dispose as unsorted municipal waste. Product must be returned to a designated recycling station.</p>
	<p>Operating temperatures may not exceed +10°C - +40°C Transport and storage temperatures may not exceed -10°C - +50°C</p>

3. General requirements

3.1 Product information

Manufacturer	Ropox A/S Ringstedgade 221, DK-4700 Naestved +45 55 75 05 00 Email: Info@ropox.com		
Product models	Part number	Model	Configuration
	30-91xxx-xxx	0 – 300 X 0 – 300cm	Electrical
Maximum user weight according to DS/EN 12182:2012	150kg (330lbs) evenly distributed max load includes weight of tabletop and other installations		
Power supply	100-240V ~50/60Hz		
I in	3A		
Standby power	0,1 W		
Intermittence	1min use / 9min break		
Height adjustment	300mm (11.8in)		
Speed of actuation	≈ 36mm/s (1.5in/s)		
Ambient temperature range	-10 °C to +50 °C Transport and storage +10 °C to +40 °C Operation		

3.2 Product description

Ropox FlexiPlus is a height-adjustable system for tabletops or workstations. The product can be adjusted in height electrically.

3.3 Intended use

The product is intended for height adjustment of a tabletop or workstation for easier and more comfortable use by people with differing heights and statures. Standard stroke length – 300mm (11.8in), but with an option to customize stroke length between 0mm - 660mm (0 – 26in).

3.4 Intended population

Anyone who can find use in having a tabletop or workstation with an adjustable height.

3.5 Intended operator

Anyone who has read and understood this manual can use the product. Only children over the age of 8 may use the product, however, only under the supervision of an adult.

3.6 Basic safety

Ropox FlexiPlus has a built-in anti-collision system called Ropox Sicuro, where, if the product registers an increase in resistance during operation, either up or down, the legs will retract (approx. 50mm (2in)).

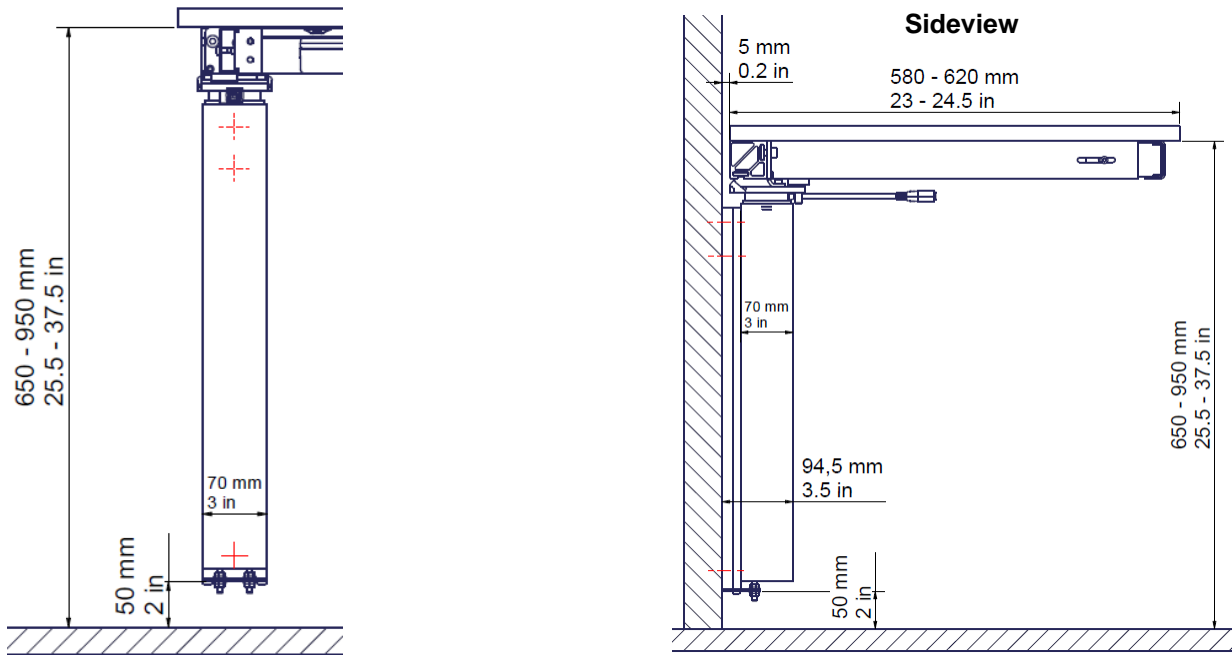
Additionally, it's possible to buy what's called a safety-stop. This is a safety system that works in tandem with Ropox Sicuro, that is especially sensitive and is better at registering soft material. The safety-stop is placed underneath the table, at the edge, which makes it optimal for seated users.


3.7 Non-clinical functions


Ropox FlexiPlus is designed to make use of tabletops and worktops comfortable and easier to access for the intended population.

3.8 Product dimensions

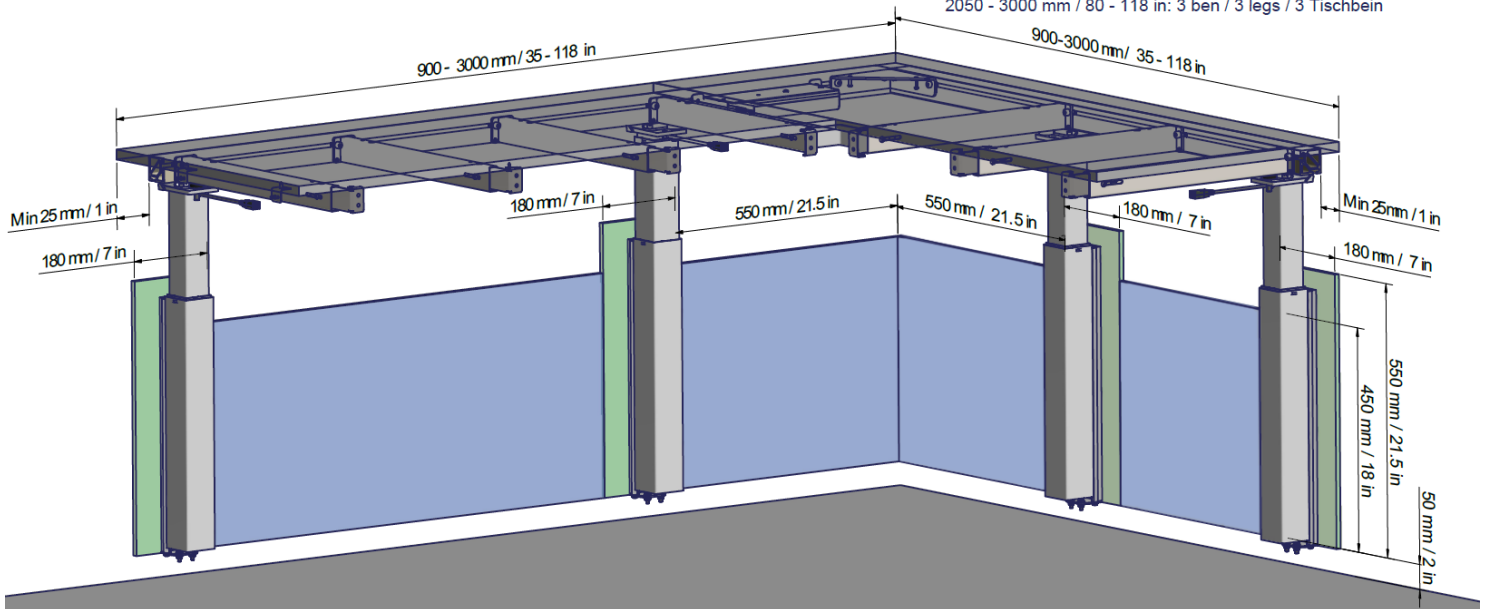
It is recommended to keep 50mm (2in) of clearance below the wall bracket.



 Minimum area for reinforcement of wall. Wall must be suitable for screw mounting.

 Area for electrical and plumbing installations.

Antal ben afhænger af bordpladebredde
 The number of table legs depends on the counter top width
 Die Anzahl der Tischbeinen abhängig von der Breite der Tischplatte
 900 - 2000 mm / 35 - 78 in: 2 ben / 2 legs / 2 Tischbein
 2050 - 3000 mm / 80 - 118 in: 3 ben / 3 legs / 3 Tischbein

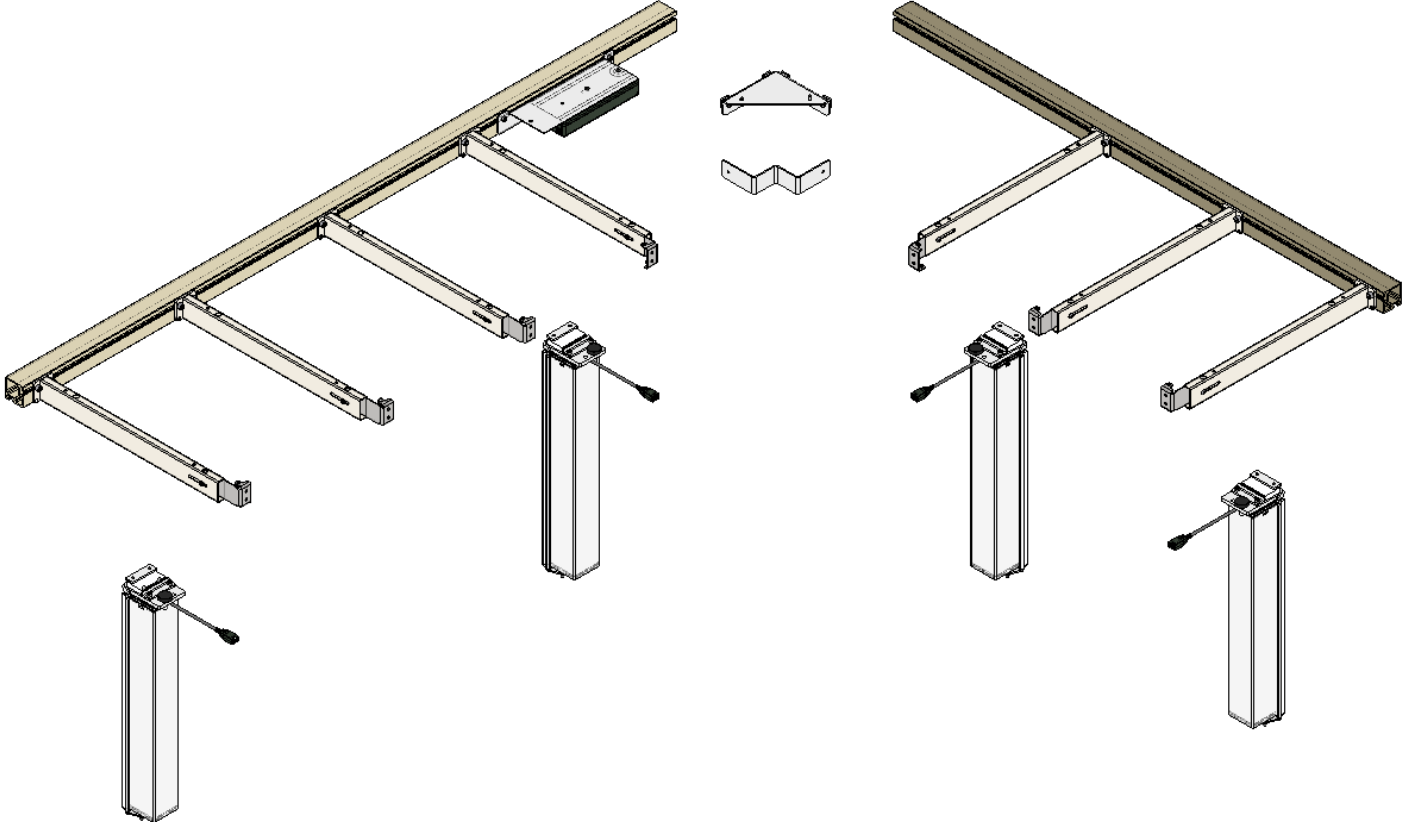


3.9 Complaints and adverse events

Any serious incident that has occurred in relation to the use of the product, should be reported to the manufacturer and the competent authority of the Member State, in which the user is located.

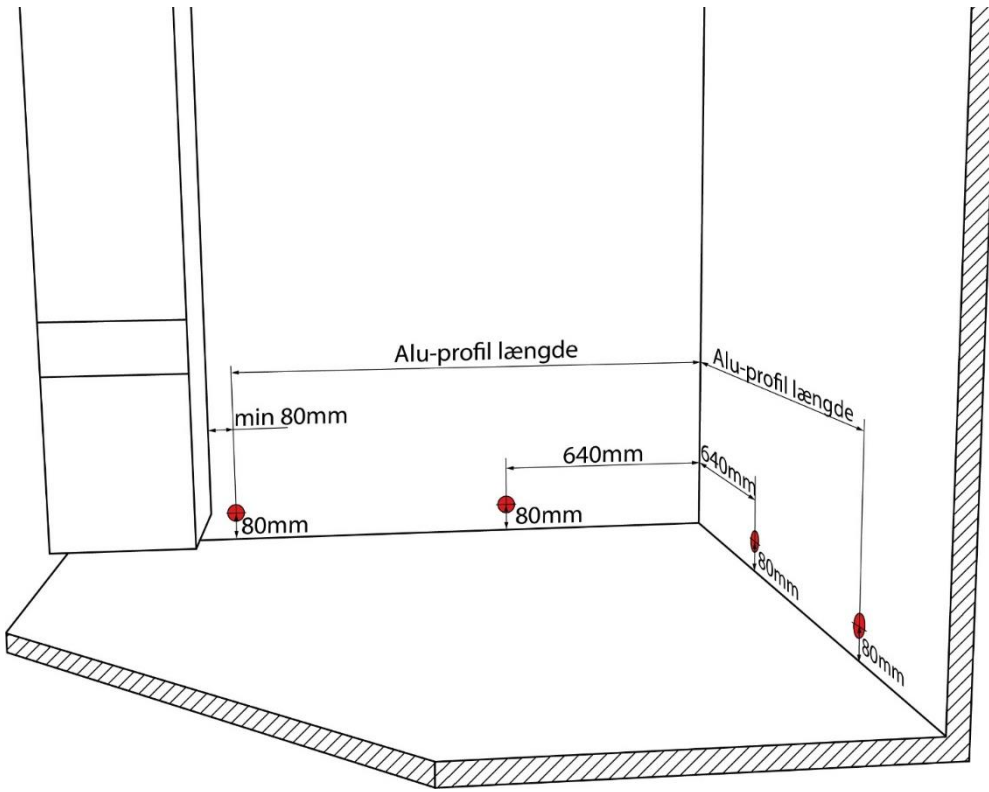
4. Instructions for use

4.1 Installation of product



4.1.1

Mark out points for bottom screws for fastening of wall brackets



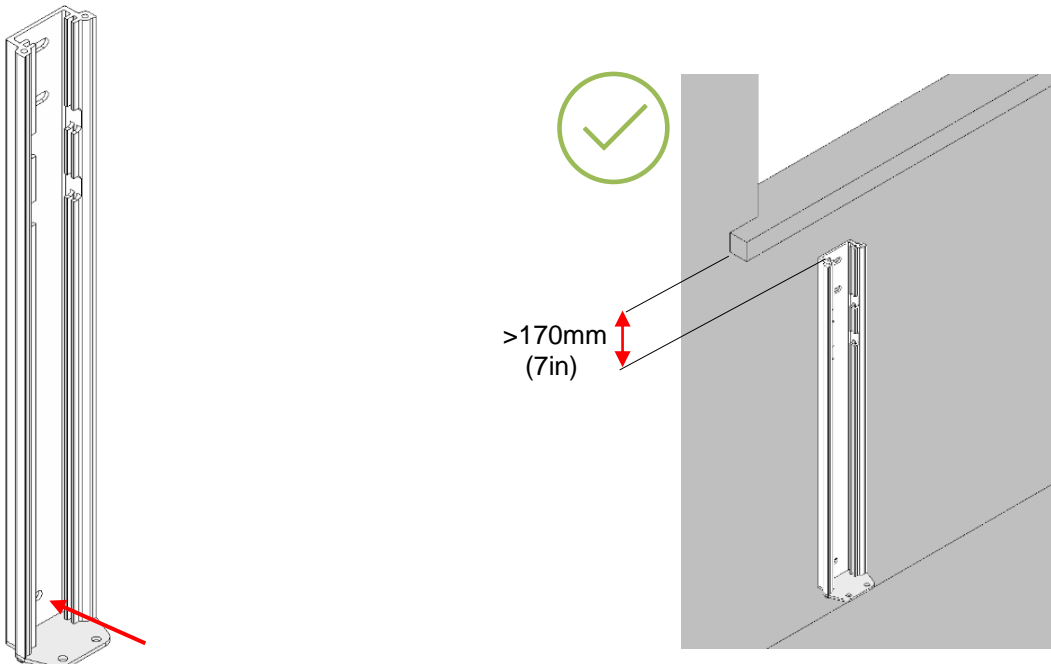
Holes are recommended at a distance of 80mm (3in) to the floor. Keep a minimum distance of 80mm (3in) to fixed objects next to countertop.

4.1.2

Attach wall brackets in the points marked out

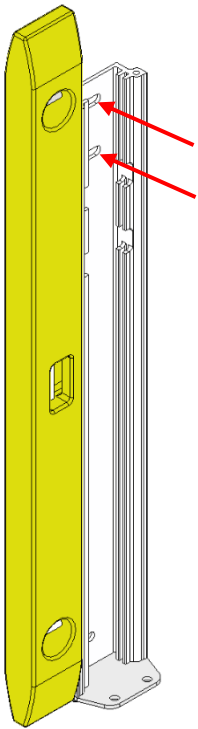
Use appropriate rawlplugs. Max pull-out force in top screw is 38kg (84lbs).

Make sure that there is at least 170mm (7in) of clearance above the wall bracket.



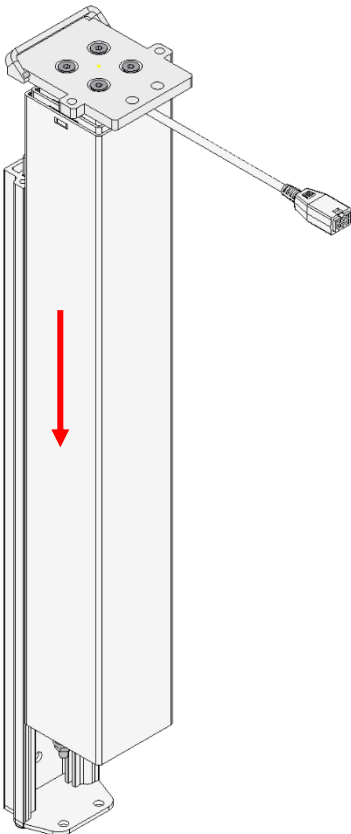
4.1.3

Plumb the wall brackets and attach top screws



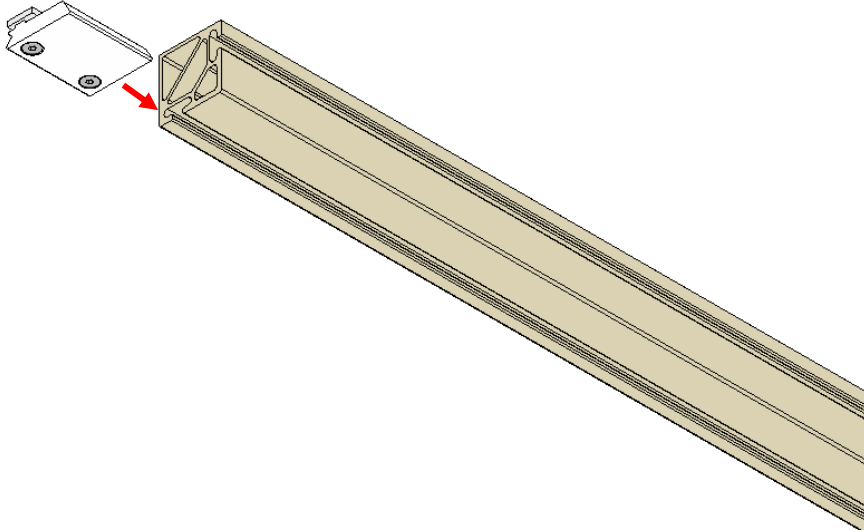
4.1.4

Slide motor columns in wall brackets



4.1.5

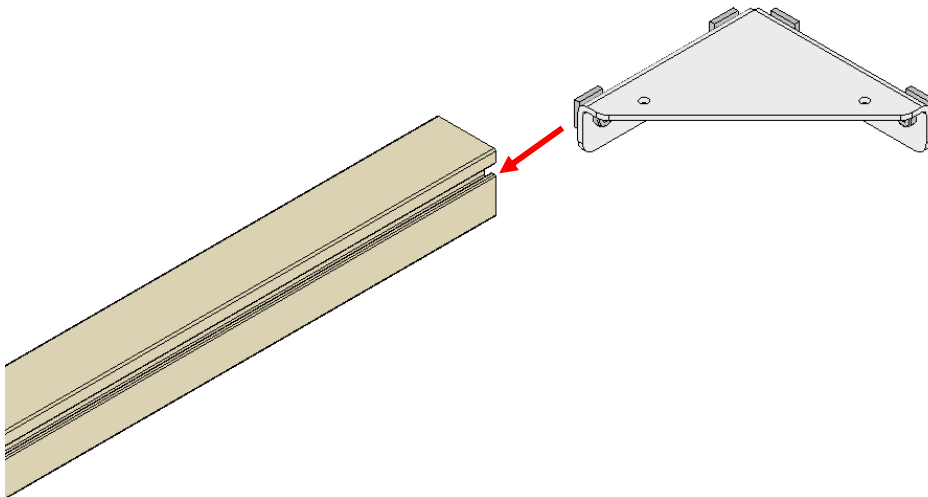
Mount the bracket with flatnut on the profile, in line with where the motor columns are placed.
Tighten the bottom screws to fasten the bracket.



4.1.6

Mount corner bracket

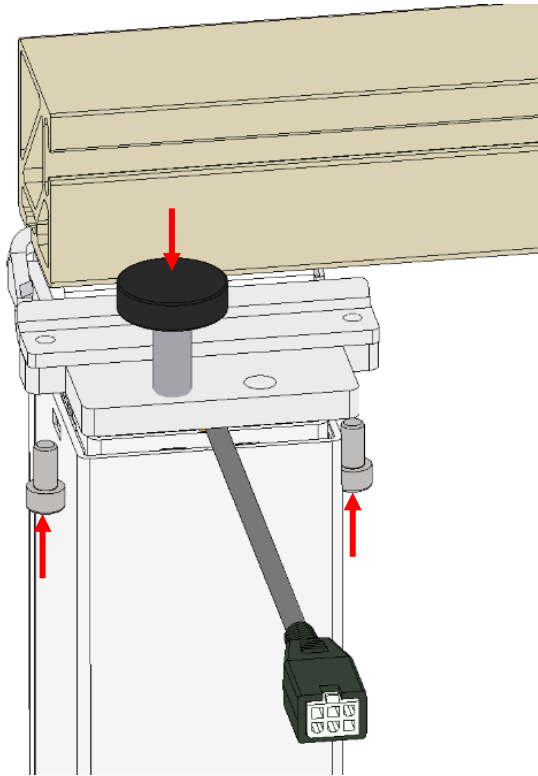
Use 4x M8x14 screws and flatnuts. Tighten screws after placement of corner bracket.



4.1.7

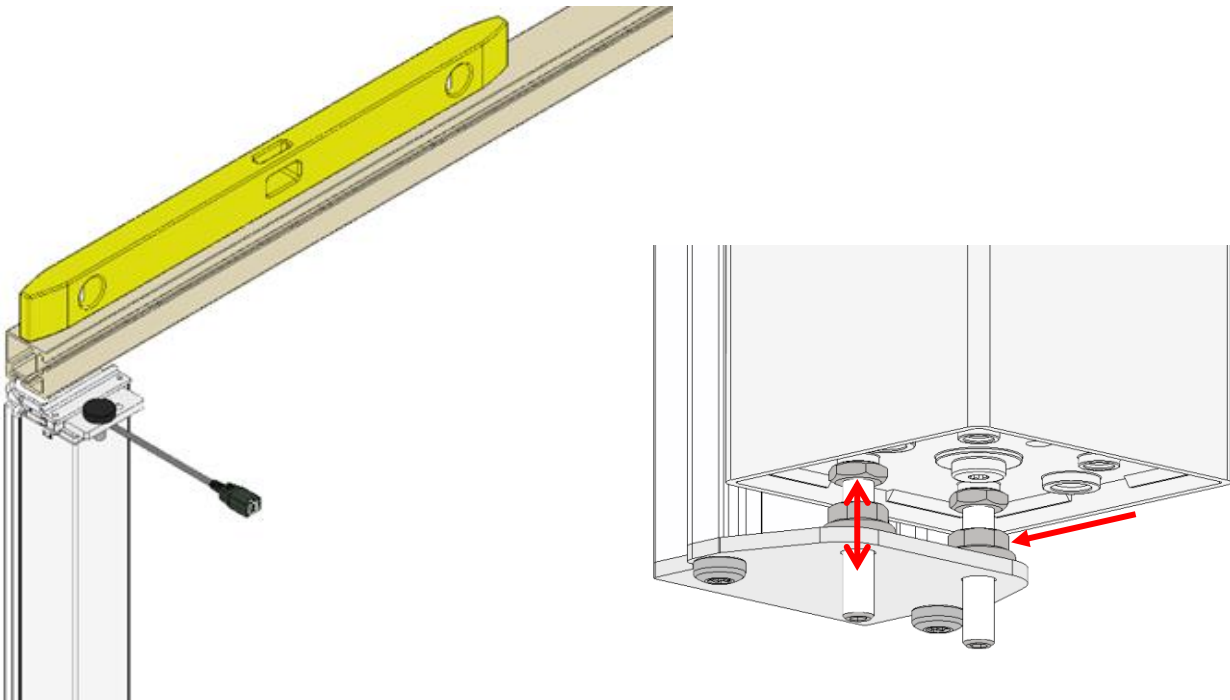
Mount profile and adjustment screws on motor columns

Use tightening plate and two M6x12 screws.



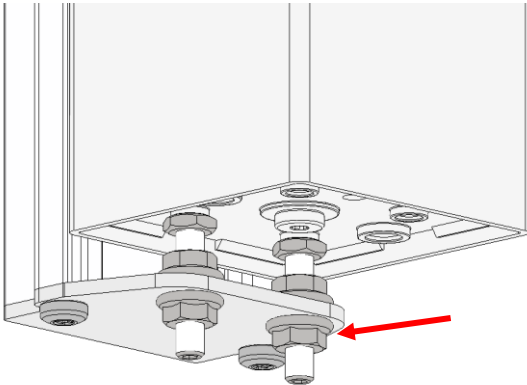
4.1.8

Level out the system by adjusting the nuts at the bottom of the motor column



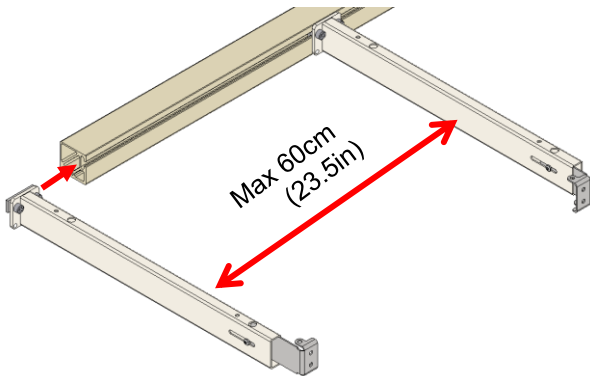
4.1.9

Lock the system by securing the retainer nuts at the bottom of each motor column



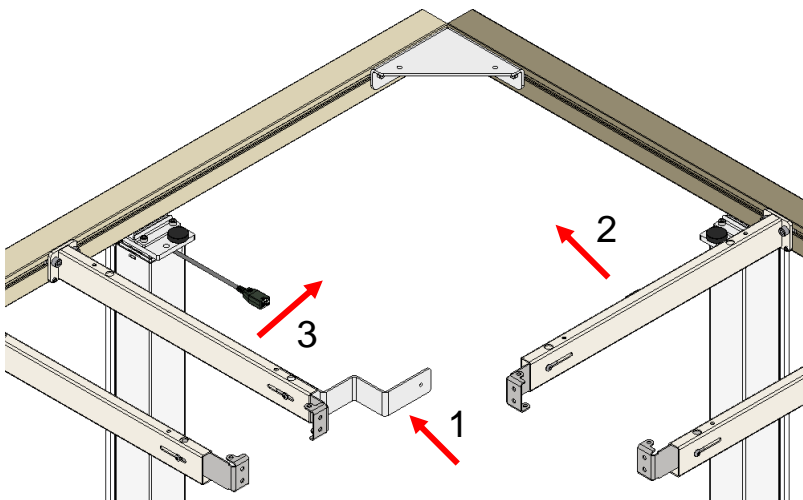
4.1.10

Mount support arms on profile evenly distributed and place angled bracket on the innermost support arms



At each motor column, a support arm should be placed on top of the adjustment screw.

Do note, that the inner support arms must not be more than 60cm (23.5in) apart. Also note that the outermost support arms must face inwards with their outer bracket. This is done by unscrewing the bracket.



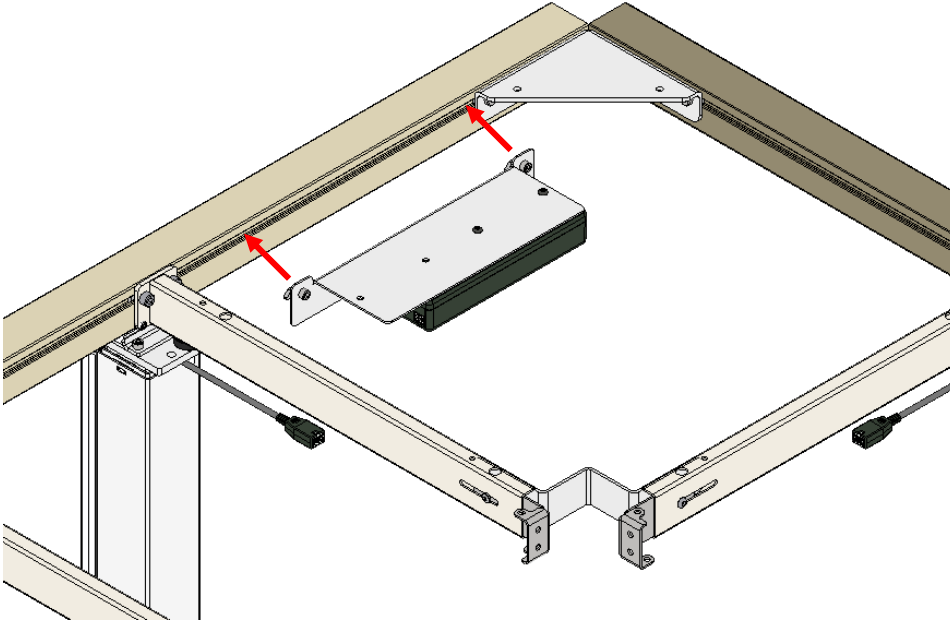
Mount the angled bracket in the suggested order.
Fasten it with two M6x12 buttonhead screws.

4.1.11

Mount the control box by tightening the screws

Make sure that all the cables can reach the control box, and that it is placed close to a power outlet.

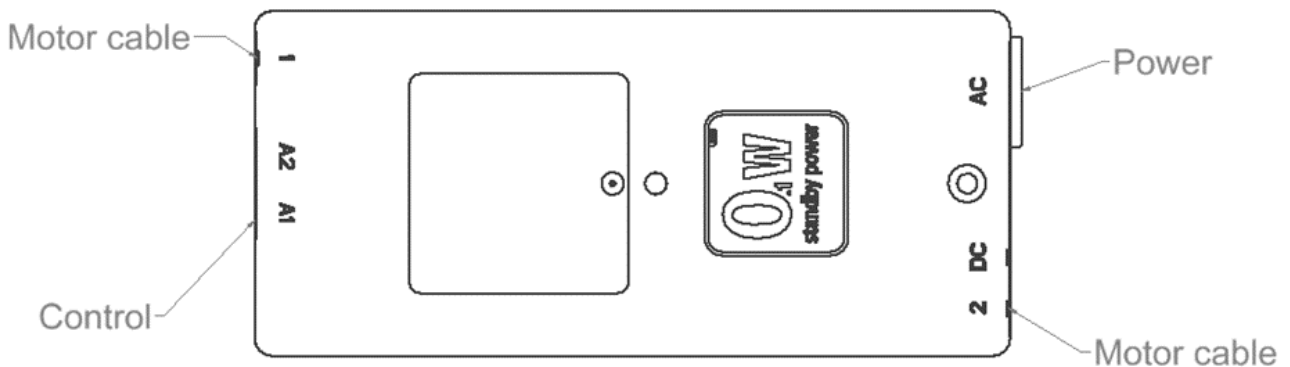
For large frames (greater than 220cm (86.5in) per side), an extension cable should be connected to the outer leg(s).



4.1.12

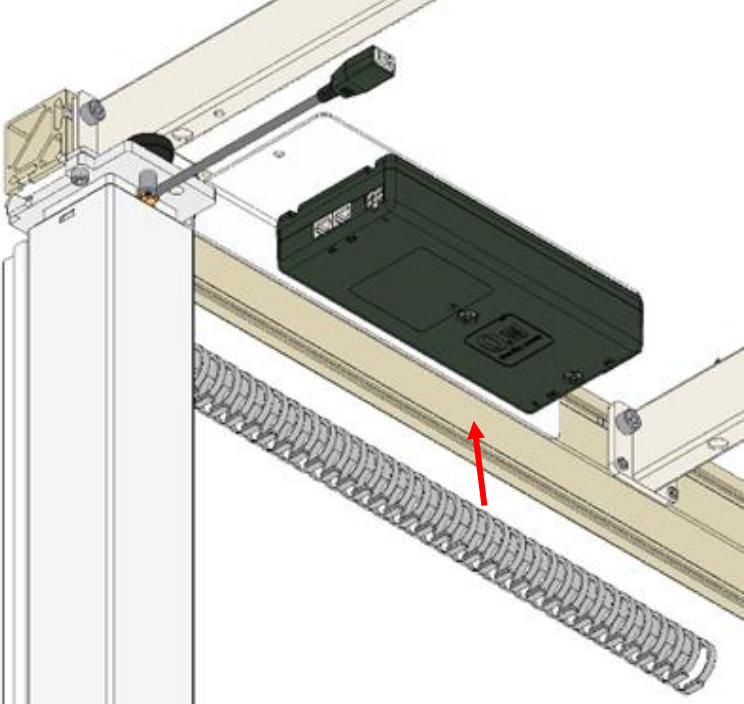
Connect cables to the control box and do a test run

Zero out the system by holding the down button until the columns have initiated a reset.



4.1.13

Mount the cable hangers on the profile, and manage the cables in it

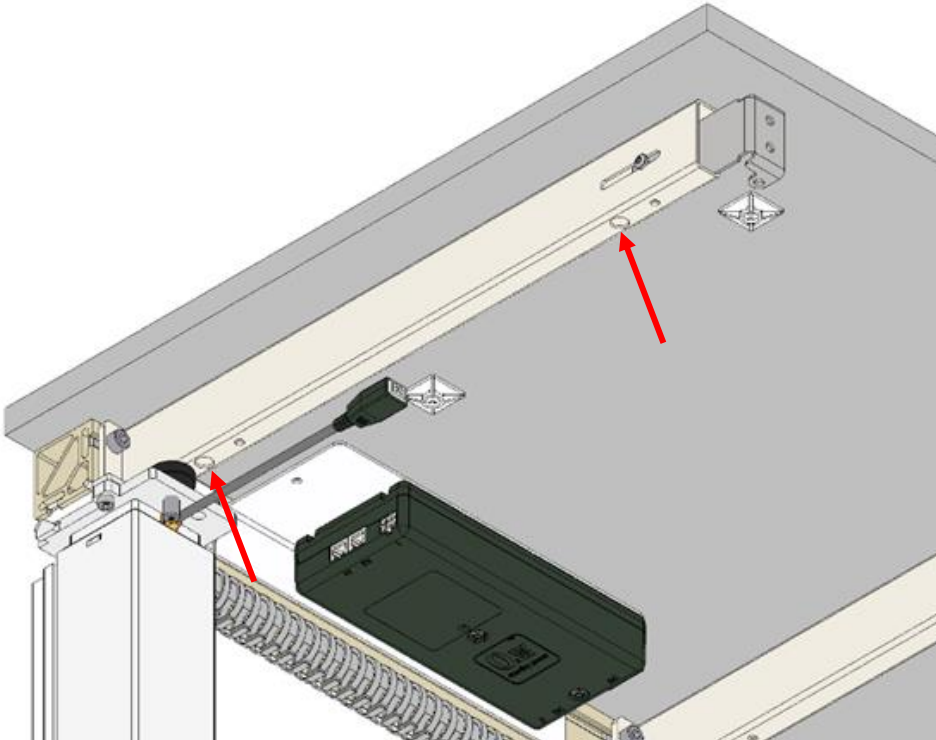


4.2 Installation of bordplade

4.2.1

Place countertop and secure it to the support arms

Keep a safe distance of 5mm (0.2in) to the wall.



4.2.2

Safe distances between moving parts

If the distance of 5mm can't be upheld, the following illustration should be followed instead, to avoid any crushing hazards.

ISO 21856	
	<5mm / >25mm
	<60mm / >300mm

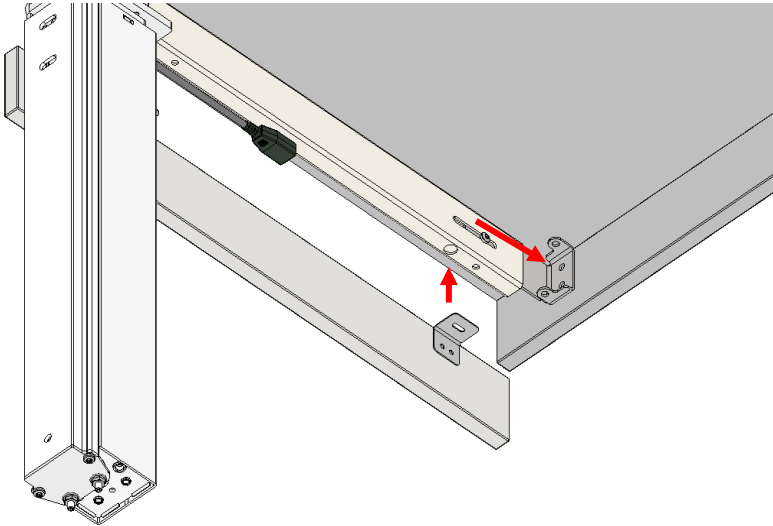
4.2.3

Attach front fascia and side fascia if needed

Front fascia is mounted with three screws per support arm.

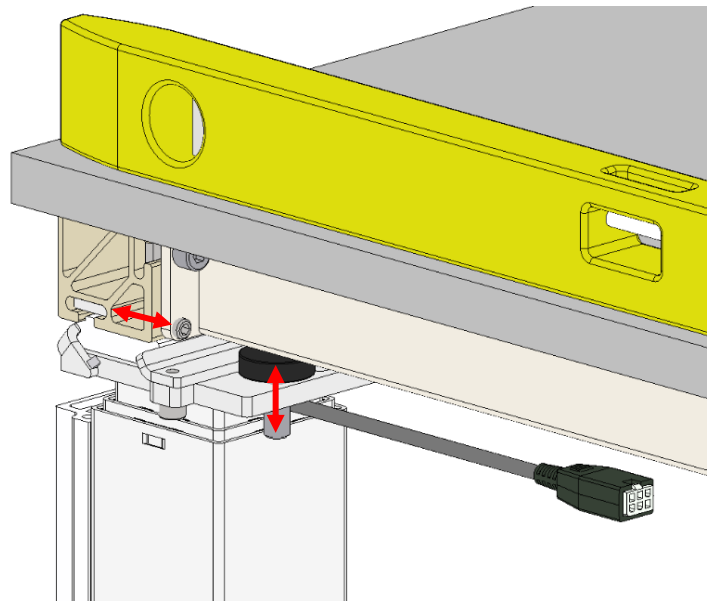
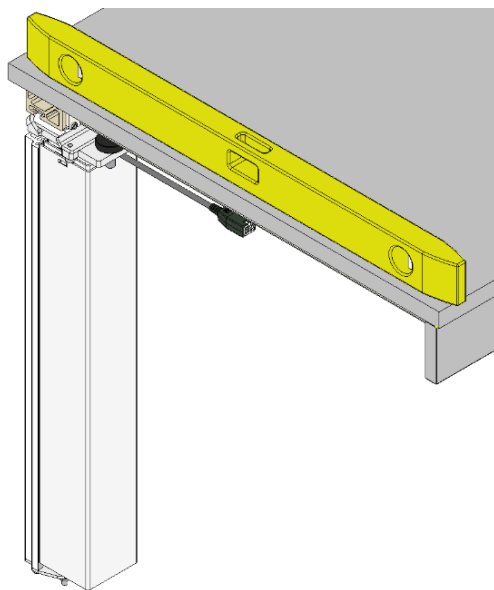
Mount the front fascia on brackets on support arms, so that it is flush with other surfaces. Mount the countertop to support arm brackets.

BEFORE mounting side fascia, mount the angle fittings on side fascia. Then mount side fascia to countertop.



4.2.4

Level the system by adjusting the adjustment screw and set screw on each leg by means of a hex key



Warning!

When mounting a hob in the tabletop, remain aware of the dangers hereby:

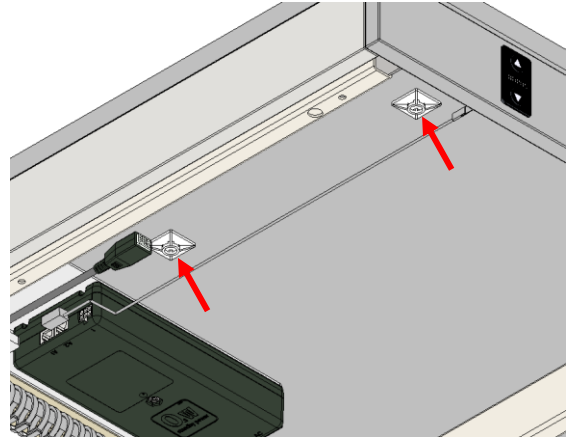
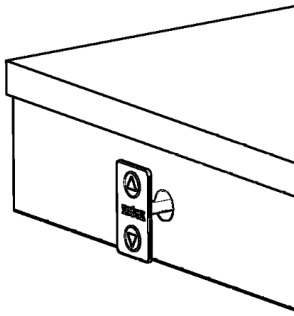
Gas hob – Always be aware of the movement of the table together with the gas hoses. If these are obstructed during the movement, this can lead to gas leakage, which can be deadly!

Induction hob – Always be aware to not bring radio equipment any closer than 30cm to the hob, this includes pacemakers!

4.2.5

Mounting the press pad

- Drill a Ø12-15 (Ø1½"- Ø5/8") hole in the front fascia
- Pull cable through hole in front fascia and connect the press pad, via the press pad cable, to the control box
- Mount the cable mounts on the underside of the tabletop and strap the cable to them
- Carefully remove the protection paper, on the back of the press pad, while keeping your finger between the cable-ribbon and the adhesive, as these mustn't stick to each other
- Place the press pad on the front fascia



Notice!

If the cable-ribbon sticks to the adhesive, the press pad might be destroyed.

4.3 Installation of Bluetooth adapter

With a purchase of Ropox FlexiPlus, as a standard component, a Bluetooth adapter will always accompany the product. This Bluetooth adapter allows the user to remotely connect to FlexiPlus using our app, Ropox Connect, or with the wireless control, that can be acquired as an accessory.

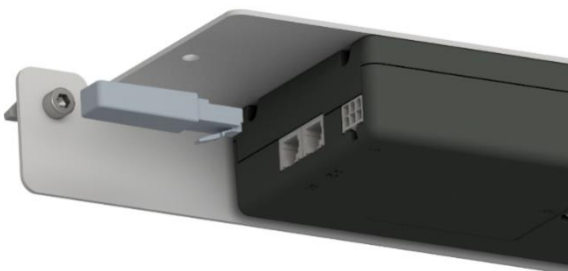
To mount the Bluetooth adapter, follow the instructions below.

4.3.1

Mounting the Bluetooth adapter

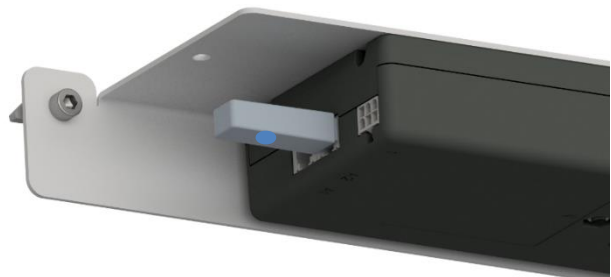
1

Insert the Bluetooth adapter into 1 of the 2 available control ports in the control box



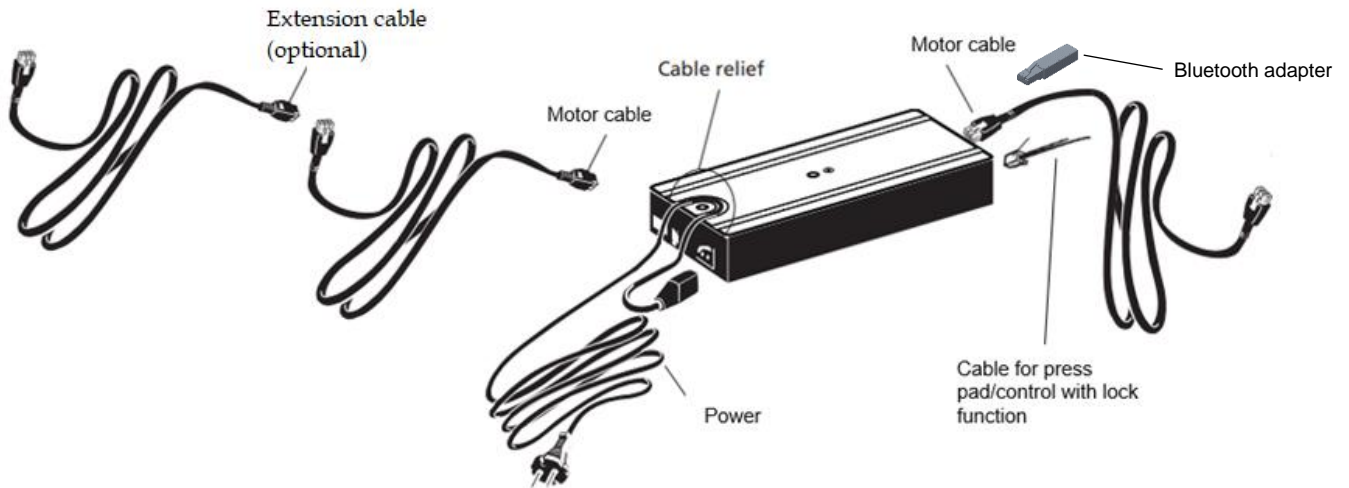
2

After the Bluetooth adapter has been inserted, it will blink blue and is ready for pairing



Note! It is recommended, when multiple products need to be connected, that 1 adapter is inserted at a time, and then saved.

4.4 Electrical component diagram



4.5 Ropox Connect App

As an option for operating Ropox FlexiPlus, it's possible to download the free Ropox Connect App, which makes it possible to operate the product wirelessly. The Ropox Connect App allows you to operate the product upwards or downwards and has the option of saving height settings, allowing users to easily change from a standing height to a sitting height. To see an expanded explanation of functions, accessibility settings, and more, see the enclosed manual, TF 200.0039.

To download the Ropox Connect App, follow the instructions below:

4.5.1

How to download the Ropox Connect App

For iOS

1. Scan the QR code or open the app: App Store.
2. In the App Store, press 'Search'.
3. Search for "Ropox Connect".
4. Find the Ropox Connect App, and press 'Get'.



4.6 Operating the product

The product is operated with the up / down button provided, or wirelessly with the Ropox Connect App. Alternatively, if a control with lock function is installed, see 5.1.3.



Warning!

The product should always be able to travel the full range of actuation without colliding with objects. Failing to do so will compromise the product stability. Special care should be taken in ensuring that no children or adults are placed under the product, as severe injury from entrapment may occur.

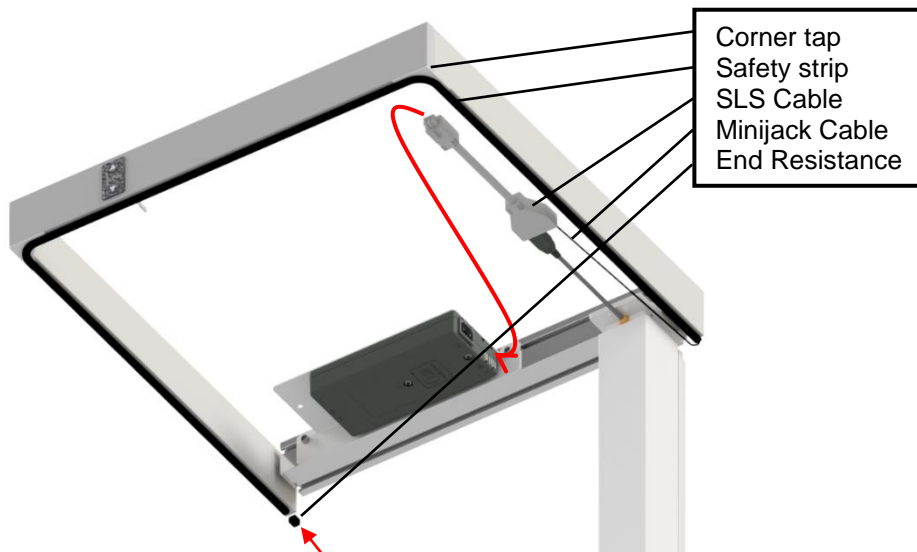
5. Accessories

Accessories	
Item Number	Model/specification
30-92xxx	Safety strip
30-90550-1	Control with lock function
30-90540-1	Wireless control
30-67610-1	Extra leg
30-67635	Cover for plumbing
30-67760	Bracket for coverplates
30-67705	Supporting Foot 49cm/19in Length
30-90530-1	70mm/3in distance bracket
30-90570-1	Corner bracket adjustable
30-93050 – 30-93660	Height adjustable programming, 50 – 660mm (2 – 26in)

5.1 Installation of accessories

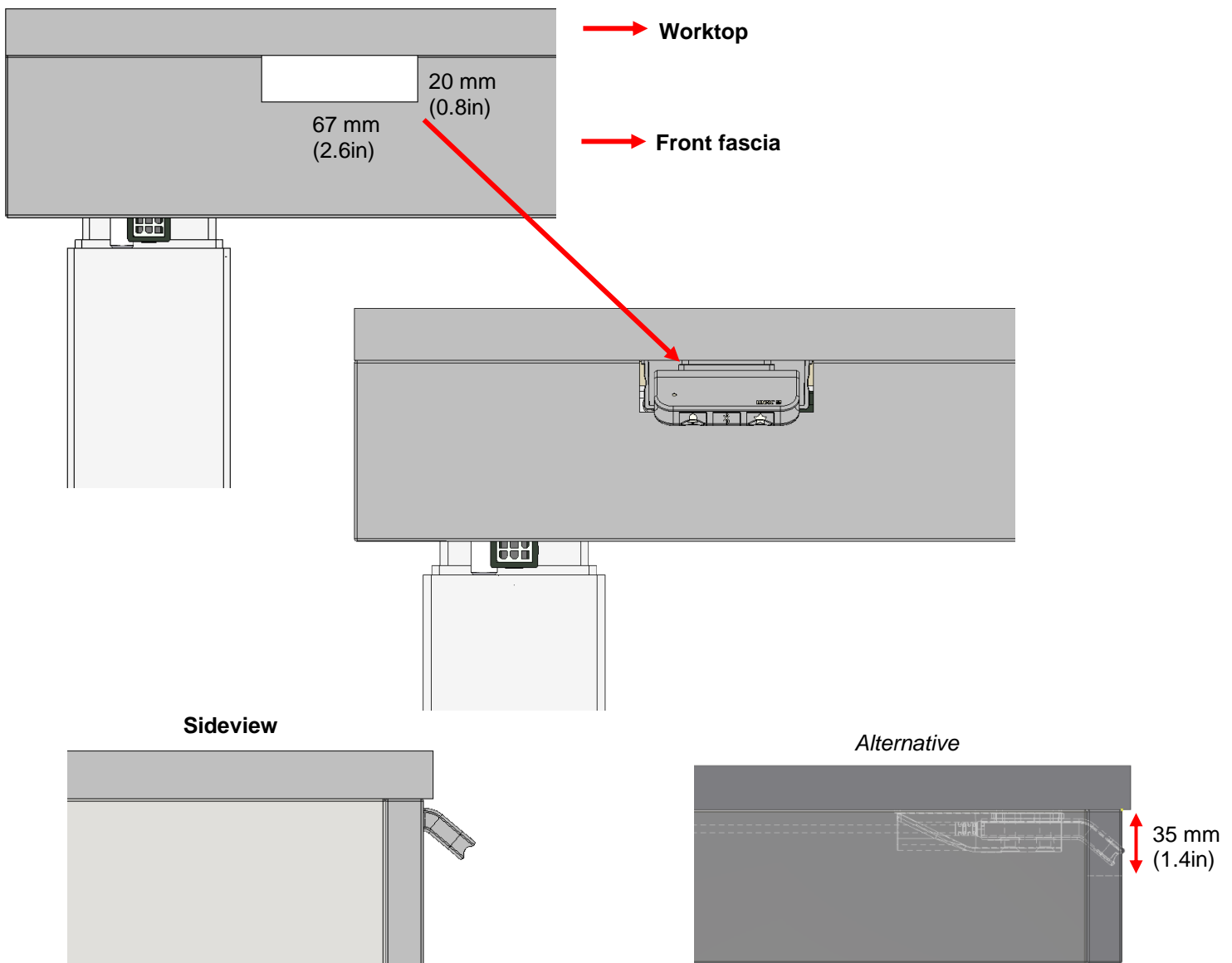
5.1.1 Installation of safety strip

- To mount the safety strip, see Safety Strip for FlexiPlus, TF 200.0043.



5.1.2 Installation of control with lock function

- BEFORE MOUNTING THE FRONT FASCIA, pre-drill holes in the tabletop.
- Mount the control with lock function on the bottom side of the table, by means of two \varnothing 4.5mm countersink screws. It is recommended that the tilted part of the control is outside the fascia, as shown below.
- Connect the control to the control box.
- If a fascia is needed, cut out a small indent in the front fascia that measures 20x67mm (0.8x2.6in). If the control with lock function is mounted further in on the tabletop than recommended, it is recommended to increase the height of the indent to 35mm (1.4in). Mount the fascia.





Notice!

DO NOT attempt to mount the control with lock function on a hard tabletop such as glass or stone, with screws.

5.1.3 Use of the control with lock function

- **UNLOCKING THE CONTROL WITH LOCK FUNCTION**

Unless otherwise specified, the control cannot activate the motor columns, without unlocking the control. This is done by pressing , **Bluetooth®**, then , within one second.


The control will lock again after 10 seconds if the control is not activated.

- **UP/DOWN**


Driving the motor columns up or down, is done by first unlocking the control, then pressing on the control from above or below.

- **DIFFERENT BUTTONS**

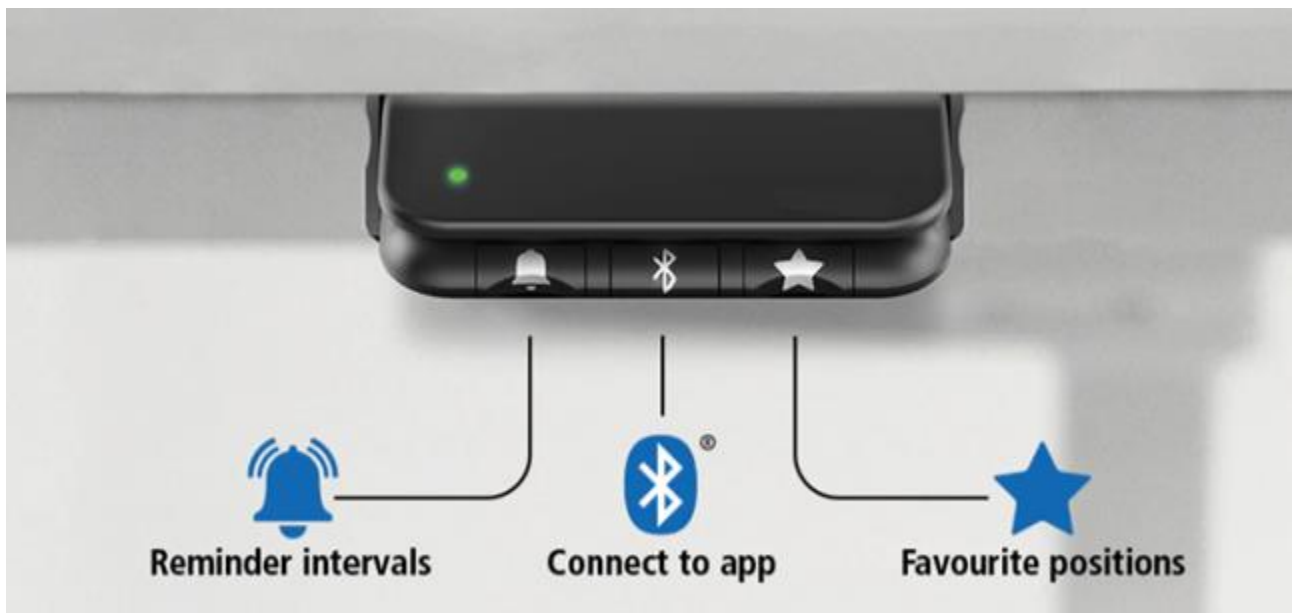
The control with lock function comes with three built-in buttons other than up/down.

 – Reminder intervals. DISABLED as per standard.

Bluetooth® - Bluetooth connectivity. DISABLED as per standard.

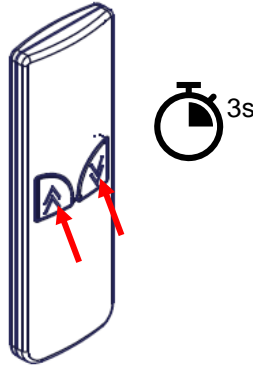
 - Changes favorite position.

- Holding down the button for 2 seconds will save the current height. 2 positions can be saved at a time.
- Holding down the button for 8 seconds will reset the favorite positions, showing a red LED.
- When driving the motors to the favorite position, the motors will stop for 1 second when it is at a favorite position before continuing, if the Up/Down is continuously held.



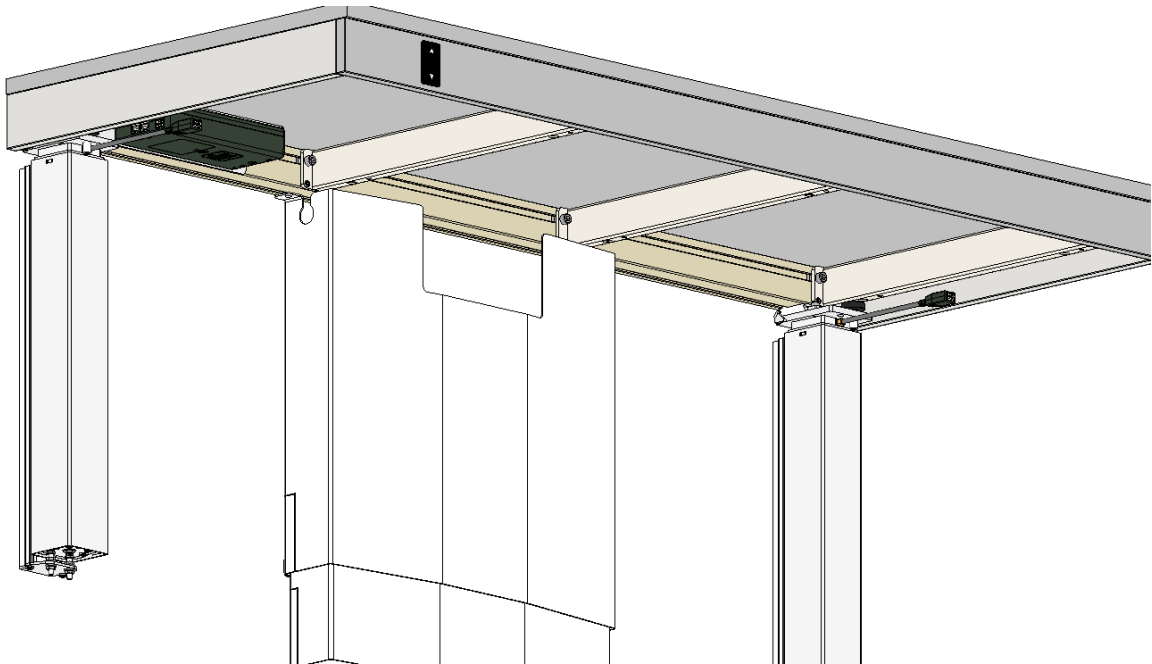
5.1.4 Installation of wireless control

- Before the wireless control can be connected to FlexiPlus, the Bluetooth adapter must be in pairing mode, see 4.3.1.
- If the Bluetooth adapter has been inserted into the control box, but isn't in pairing mode, demount the Bluetooth adapter, then reinsert it.
- Take the wireless control and hold both UP/DOWN at once, for a few seconds.
- The system can now be remotely controlled with the wireless control.



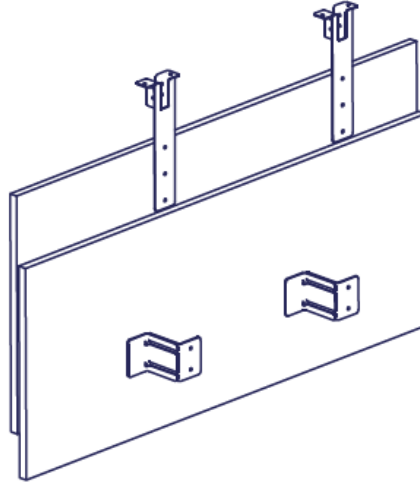
5.1.5 Installation of cover for plumbing

- BEFORE CHOOSING THE COVER FOR PLUMBING, decide upon your desired height adjustment. If the chosen height adjustment is greater than standard (300mm (11.8in)), it is not recommended to use this accessory.
- To mount the cover for plumbing, see Mounting Instructions: Installation cover for Flexi, PDF 6134.



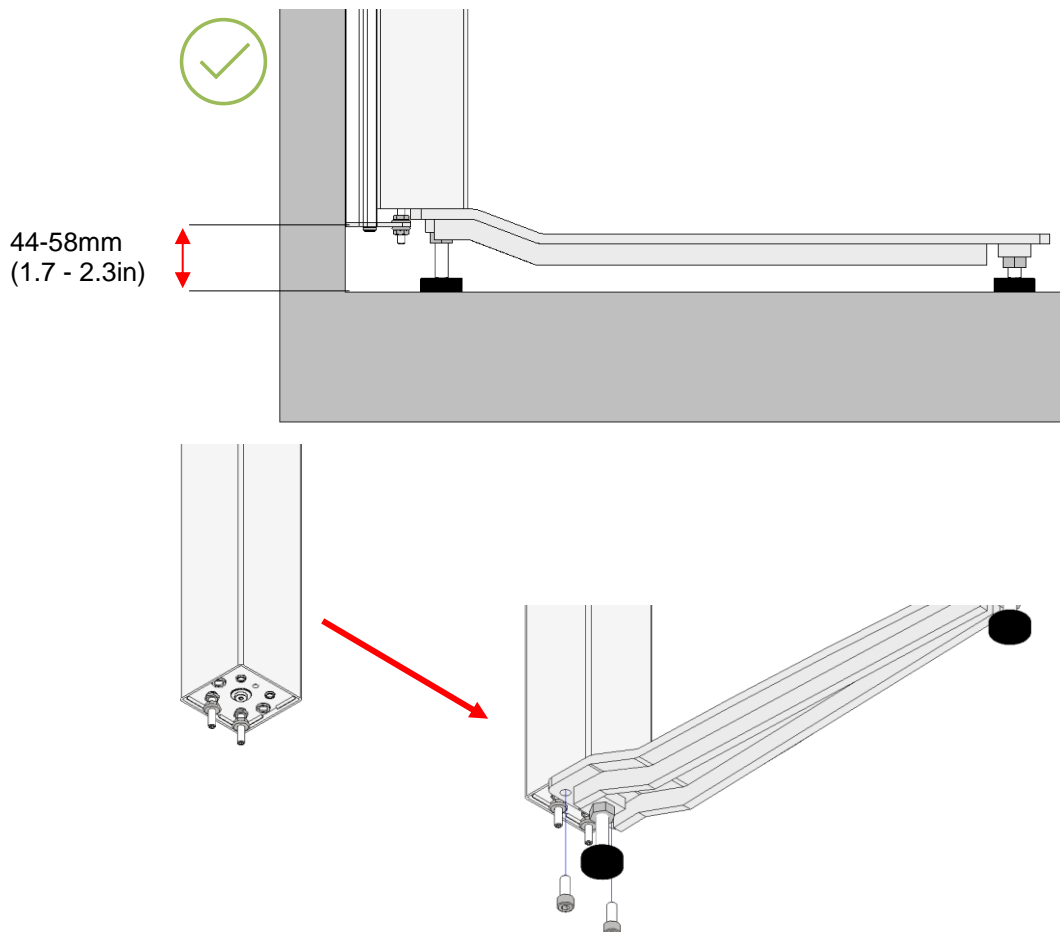
5.1.6 Installation of bracket for coverplates

- BEFORE CHOOSING THE BRACKETS FOR COVERPLATES, decide upon your desired height adjustment. If the chosen height adjustment is greater than standard (300mm (11.8in)), it is not recommended to use this accessory.
- To mount coverplates with the brackets, see Concealment panels for Ropox Flexi, PDF 6163.



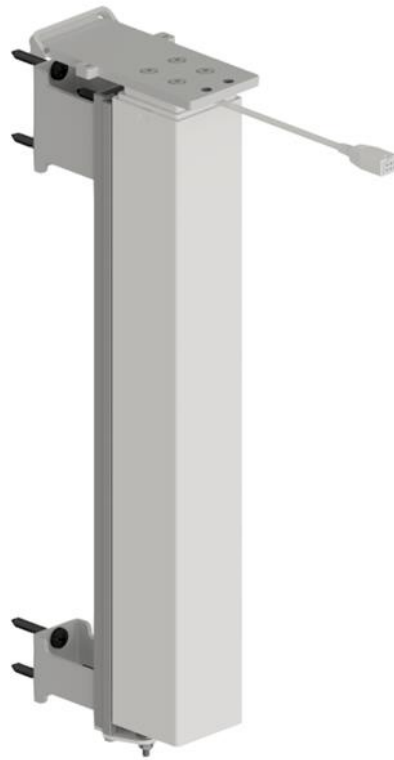
5.1.7 Installation of support foot

- NOTICE – support foot can only be used if the wall bracket is mounted between 44-58mm (1.7–2.3in) above the floor.
- BEFORE MOUNTING THE MOTOR COLUMNS ON WALL BRACKET, place the foot on the bottom of the motor columns.
- Mount the foot with the supplied M8x20 bolts in the two holes.



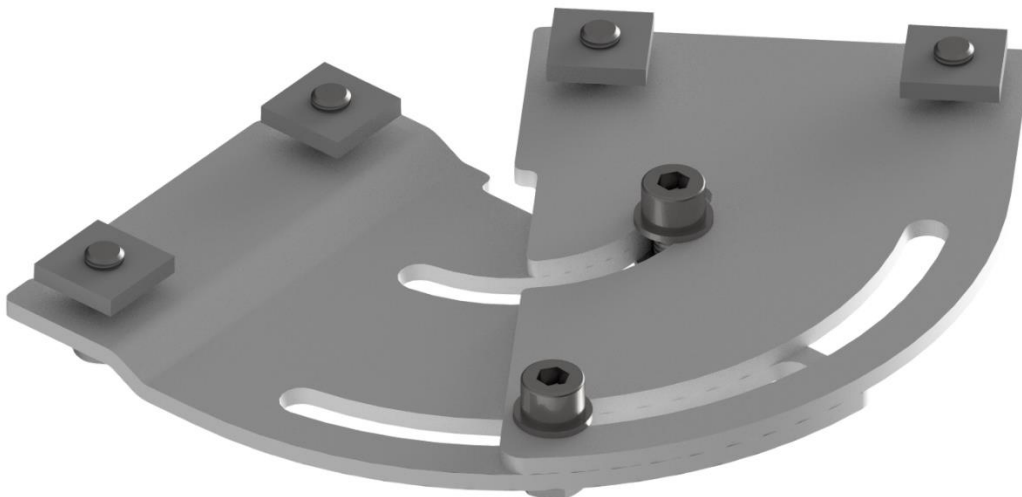
5.1.8 Installation of 70mm/3in distance bracket

- To mount the distance bracket, see 70mm/3in distance bracket, TF 200.0021.



5.1.9 Installation of adjustable corner bracket

- To mount the adjustable corner bracket, see installation manual 2x Bend Special, TF 200.0022.




6. Troubleshooting

<p>The frame cannot be height adjusted</p>	<p>Check all cables and plugs for loose connections</p> <p><u>If a safety strip has been fitted:</u> Check that the safety strip has not been activated</p> <p>Check connection of cables for safety strip to control unit and safety strip</p>
<p>The frame only goes down</p>	<p><u>Resetting the frame:</u> Press the DOWN button and adjust the frame to bottom position. Press the DOWN button once more and keep it pressed for 5 sec to reset the control unit</p>
<p>The frame does not move straight</p>	<p>Press the DOWN button and adjust the frame to bottom position. Press the DOWN button once more and keep it pressed for 5 sec to reset the control unit</p>


7. Cleaning

Cleaning can be done with lukewarm water and a suitable all-purpose cleaning agent. Use a cloth or soft sponge to wash the product. Dry the product off with a wrung cloth.

	<p>Notice!</p> <p>Do not use cleaning agents containing abrasives e.g. scouring powder, steel wool, scouring sponge.</p> <p>This product is not designed to be sterilized. Autoclaving and sterilization beyond normal cleaning may possibly change the product safety and function.</p>
---	---

8. Maintenance

8.1 Periodic maintenance

	<p>Notice!</p> <p>The frame is maintenance-free. For reasons of safety and reliability, we recommend inspection of the frame once a year.</p>
---	--

8.2 Calibration of actuator

Actuator(s) are aligned and calibrated from the factory. In case they need calibration to run simultaneously, use the following procedure.

Press and hold DOWN on the hand control (▼) until the frame is in the bottom position. Keep holding down the DOWN button until the table has completed the reset sequence.

If motor columns are out of alignment ($\geq 5\text{mm}$ (0.2in)), the system will detect it, stop, and will then need to be reset, by completing a reset sequence.

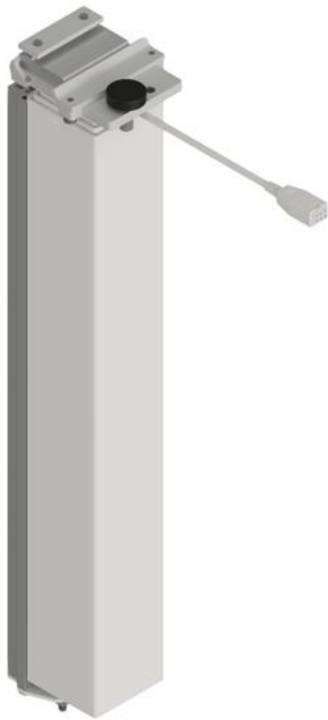
9. Component part list



Notice!

Ropox will make part lists available for extraordinary maintenance and repair beyond what is described in this manual. Repair beyond what is described in this manual may only be done by Ropox designated service personnel.

Parts included



4x Motor column incl. mounting bracket

30-67610-1

Includes

Wall bracket
30*67608-148
30*67608-179
95091439



Adjustment screw M10x25
96101125



Bracket w/flatnut
30*67608-165
30*67608-225
95020621



Tightening plate
30*67608-167



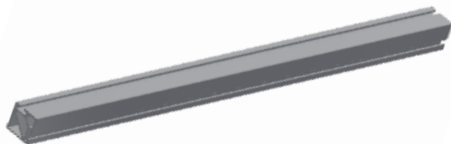
INSEX Screw M6x12
95010612



Flange nut M6
95180067



Cable hanger
97004062



2x Aluminum profile [specific length]

30*65100-XXX



4-10x Support arms

30-67620-9



1x Control box 4ch incl. mounting bracket
30*67608-222

Includes press pad, cable, and adapter
97000244
97000256
97001778



4x Angle fitting
97002730



1x Motor cable 100 cm (39.5in)
93000068



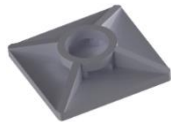
3x Motor cable 200 cm (78.5in)
93000069



1x Power cable 320 cm (126in)
93000006



0-2x Extension cable 200 cm (78.5in)
-For tabletop lengths greater than 220 cm (86.5in)
93000212



2x Cable mounts
96000155



2x Cable ties



20x INSEX set screw M8x10
95030810



1x Corner bracket
30*65500-004
30*65500-003
95010814

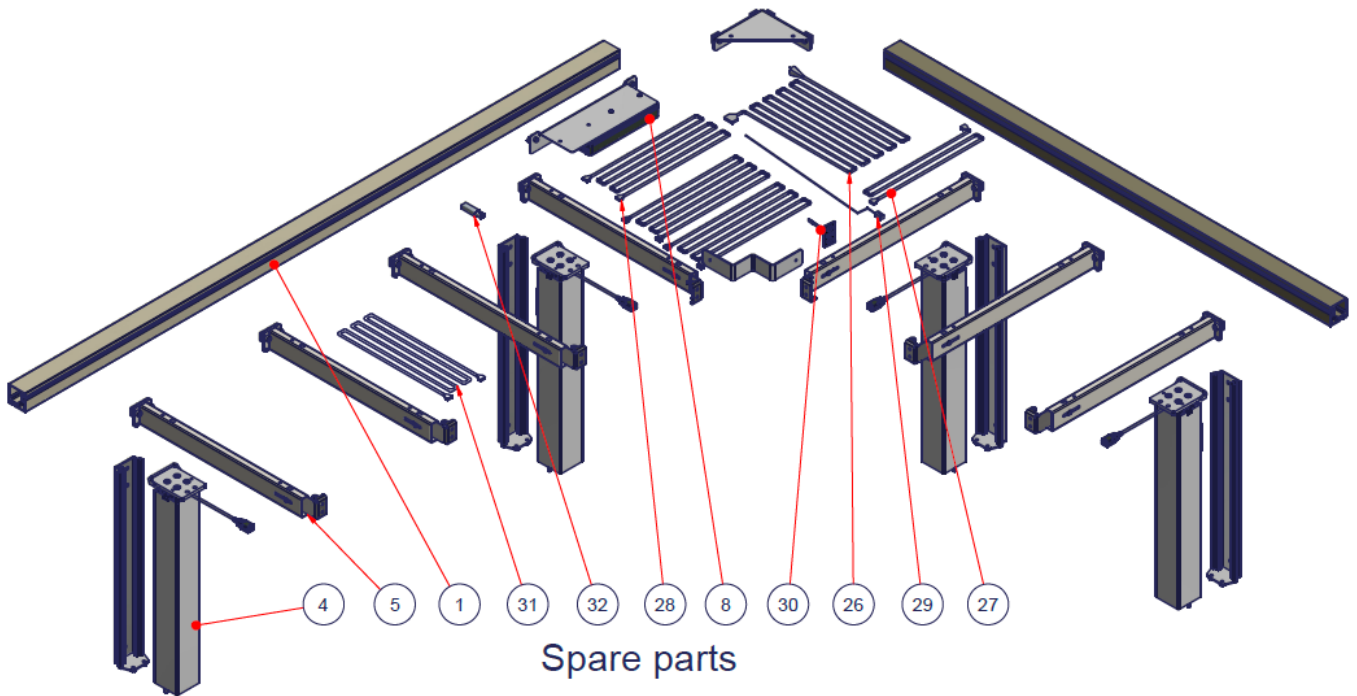


1x Angled bracket for support arms
30*65500-007



2x INSEX Buttonhead screw M6x12
95011612

10. Spare parts list



97001778	1	Bluetooth adapter			32
93000212	0-2	Extension cable 200cm (78.5in)			31
97000244	1	Press pad			30
97000256	1	Press pad cable			29
93000069	3	Motor cable 200cm (78.5in)			28
93000068	1	Motor cable 100cm (39.5in)			27
93000006	1	Power cable			26
93000197	1	Controlbox 4ch			8
30-67620-9	4-10	Support arm			5
93000210	4	Motor column			4
30-65100-XXX	2	Aluminum profile			1

PART NUMBER	QTY	TITLE	L	B	ITEM
1					
2					
3					
4					
5					
Page 1 of 1		ROPOX Better ways to better days Ringstedgade 221, 4700 Næstved Tlf.: 55750500 Fax.: 55750550		Designer: OU 15-10-2021 DS/ISO 2768 m Drawing no.: 30-91xxx-xxx	

11. Environmental protection

The product is not intended to be disposed as municipal waste. Proper disassembly, sorting and disposal of components must be done by waste disposal professionals.



Part	Disposal recommendation
Aluminum profile	Aluminum
Motor column	Electronics
Support arms	Steel waste
Control box	Electronics

12. Electromagnetic compatibility

12.1 Suitable Environments

The device is suitable for use at home, at daycare centers, at day centers for people with physical or mental disabilities or at hospitals except near active HF surgical equipment and the RF shielded room of a medical electrical system for magnetic resonance imaging, where the intensity of electromagnetic disturbances is high.

12.2 Adjacent and stacked use


	<p>Warning!</p> <p>Use of this equipment stacked with other equipment should be avoided because it could result in improper operation. If such use is necessary, this equipment and the other equipment should be observed to verify that they are operating normally.</p>
--	---

12.3 Cables

Motor Cable – 93000068	100 cm (39.5in)
Motor Cable - 93000069	200 cm (78.5in)
Power Cable - 93000006	320 cm (126in)
Press pad Cable - 97000256	150 cm (59in)

	<p>Warning!</p> <p>Use of accessories, transducers, and cables other than those specified or provided by the manufacturer of this could result in increased electromagnetic emissions or decreased electromagnetic immunity of this equipment and result in improper operation.</p>
--	--

12.4 RF portable equipment

	<p>Warning!</p> <p>Portable RF communications equipment (including peripherals such as antenna cables and external antennas) should be used no closer than 30 cm (12 inches) to any part of the device, including cables specified by the manufacturer. Otherwise, degradation of the performance of this equipment can occur.</p>
---	---

12.5 Compliance for emission and immunity standard

The product consists of electrical components that are tested and found compliant according to EN 60335-1 House and similar electrical appliances – Safety – 1: General requirements.

The control box has likewise been tested and found compliant according to EN 13849-1 Safety of machinery – Safety-related parts of control systems – 1: General principles of design.

